



2024 Edition

SPECIFICATIONS BOOK

We Accommodate All Brands and Types of Delivery Systems and Major Dental Equipment.



<i>ORDERING INFORMATION</i>	<i>1A</i>
<i>WARRANTY</i>	<i>1A</i>
<i>REAR SUPPORT CABINETS</i>	<i>1-11</i>
<i>REAR SUPPORT PEX</i>	<i>12-14</i>
<i>CENTRE ISLAND CABINETS</i>	<i>15-20</i>
<i>SIDE CABINETS</i>	<i>21-24</i>
<i>STERILIZATION CENTRE CABINETS</i>	<i>25-29</i>
<i>MOBILE CARTS</i>	<i>30</i>

Designed to fit. Built to perform.



- 1** SELECT A STANDARD CABINET
- 2** ADD OPTIONAL CONFIGURATION FEATURES
- 3** ADD OPTIONS AND ACCESSORIES
- 4** PICK YOUR COLORS

Check or circle appropriate selections on a photocopied order checklist. Fill in the prices on your choices as appropriate, total, and indicate the quantity required. Please fill in separate checklist for each cabinet unless all options are identical. Upon finalizing an order, Bow Wood will provide a line drawing, pricing sheet and a delivery date. Allow six weeks for standard orders, custom orders may take longer.

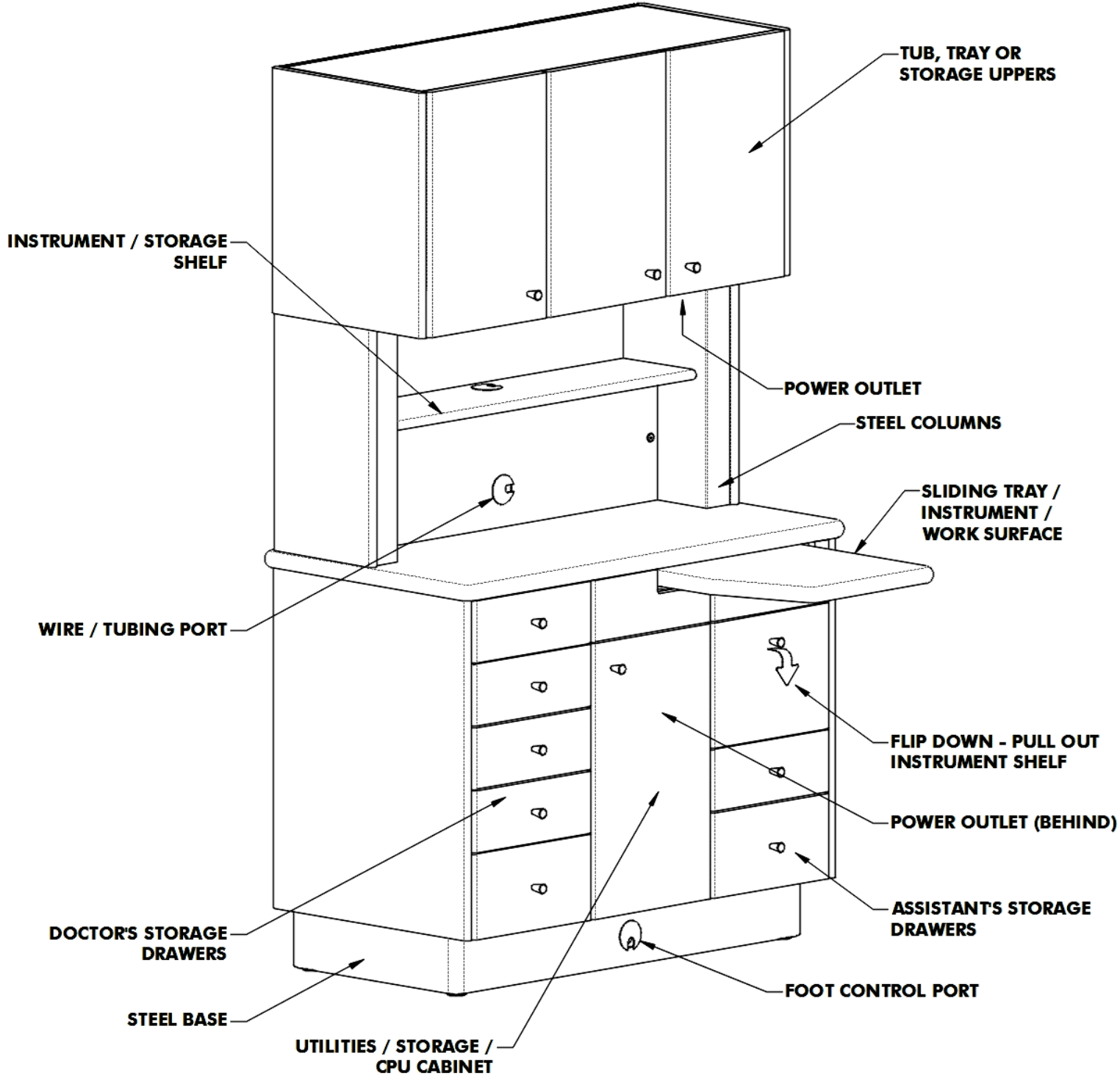
The following pages show standard configurations and designs. Bow Wood has extensive capabilities in specialist requirements and equipment accommodation. If you require dimensions or layouts different to these shown, please contact us and we will be pleased to provide customized designs to suit your project requirements.

Prices and products specifications shown are subject to change without notice. Please contact your Bow Wood representative for final quote pricing.

WARRANTY

FIVE YEAR WARRANTY

Guaranteed to be free from defects in workmanship and materials for five years from the date of purchase. Warranty covers the replacement of defective parts or components only (labor not included). Warranty does not cover damage by misuse, improper installation or accident. Warranty does not cover damage or discoloration caused by cleaning or disinfecting processes and chemicals. Freight damage is the responsibility of the freight carrier.



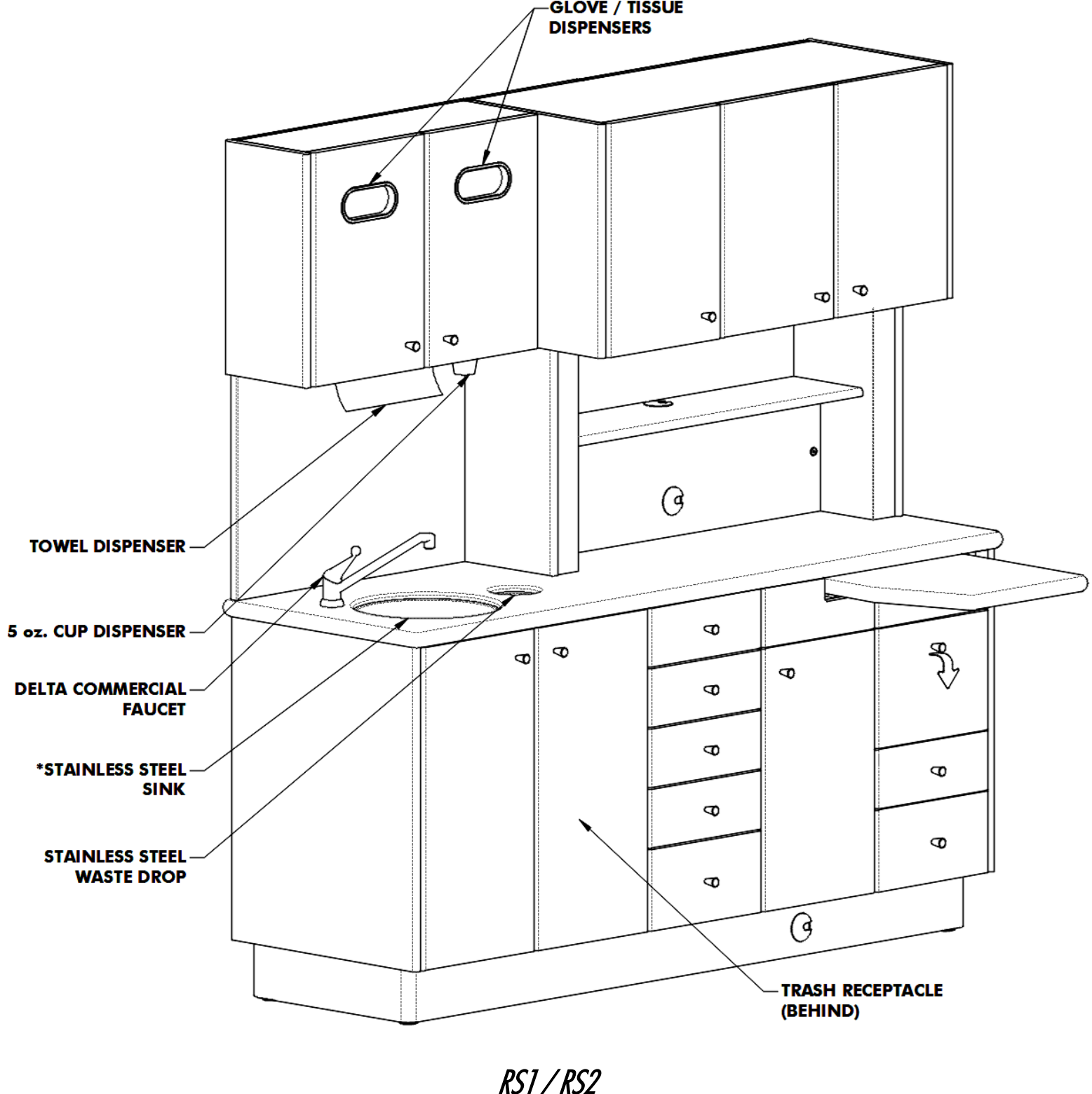
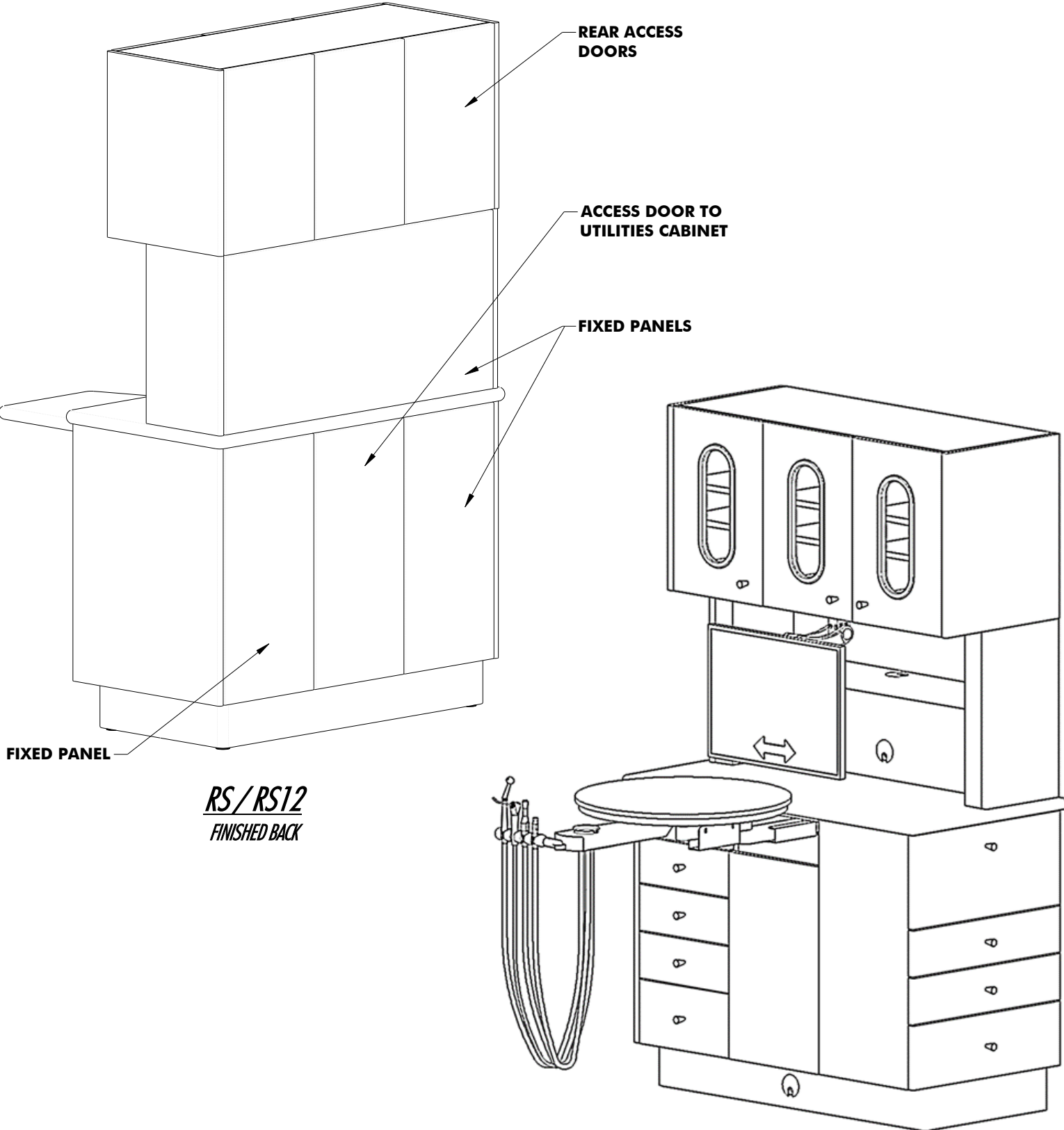
RS/RS12

REAR SUPPORT CABINETS
PRODUCT FEATURES



REAR SUPPORT CABINETS
PRODUCT FEATURES

(In Addition to Features Shown On RS / RS12)

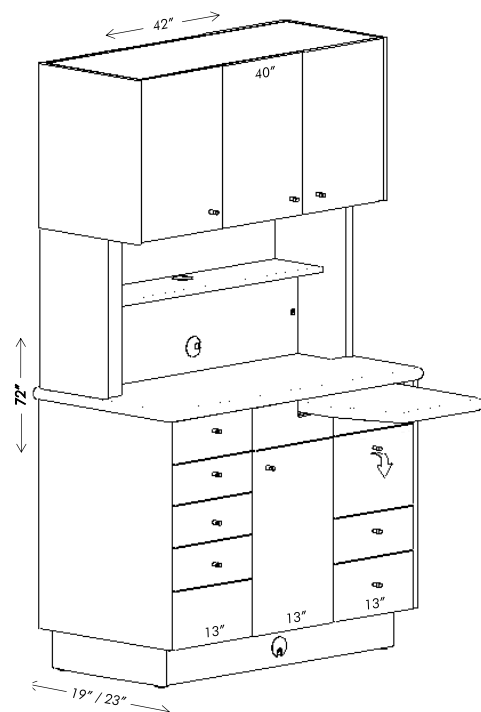


*Sink under mounted when ordered w/ Solid Surface countertop

REAR SUPPORT CABINETS
STANDARD CONFIGURATIONS

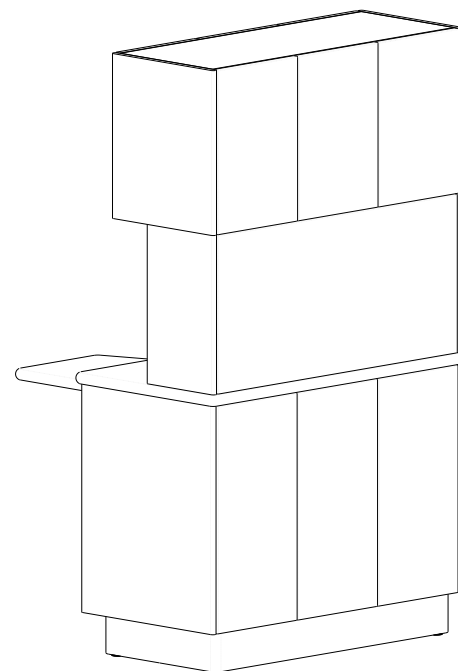


REAR SUPPORT CABINETS
STANDARD CONFIGURATIONS



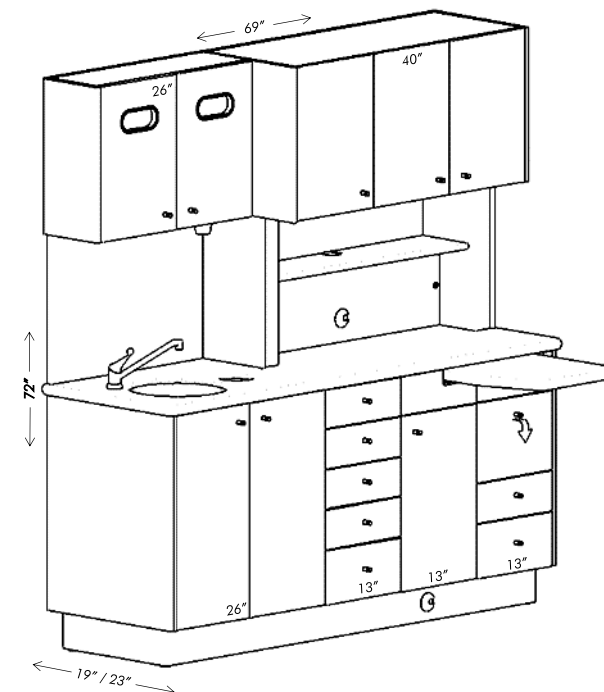
RS 19" or 23"

w/ Solid Surface..... \$6,066.00
w/ Laminate..... \$5,319.00



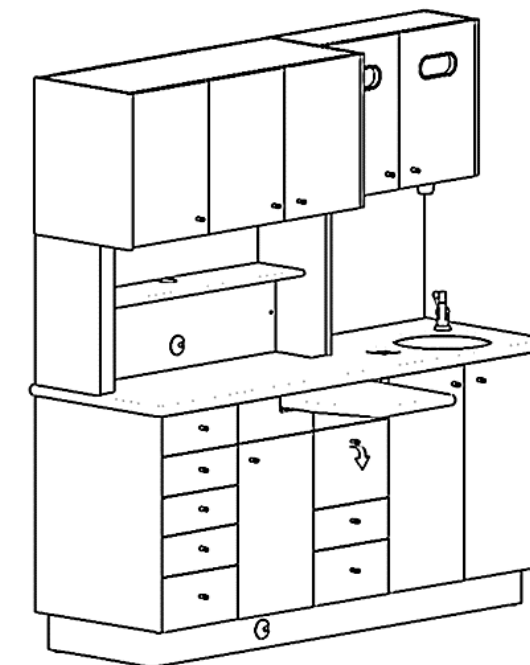
**w/ STANDARD FINISHED BACK
AND PASS THROUGH UPPERS**

Add \$440.00



**RS1 L - Doctor's Side Sink
19" or 23"**

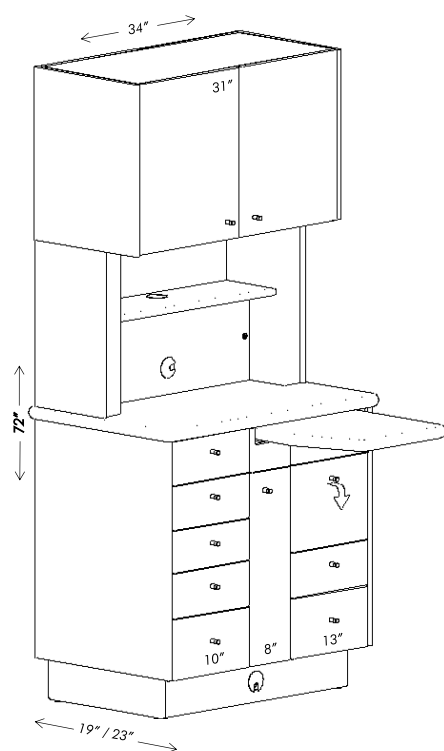
w/ Solid Surface..... \$7,490.00
w/ Laminate..... \$6,265.00



**RS1 R - Assistant's Side Sink
19" or 23"**

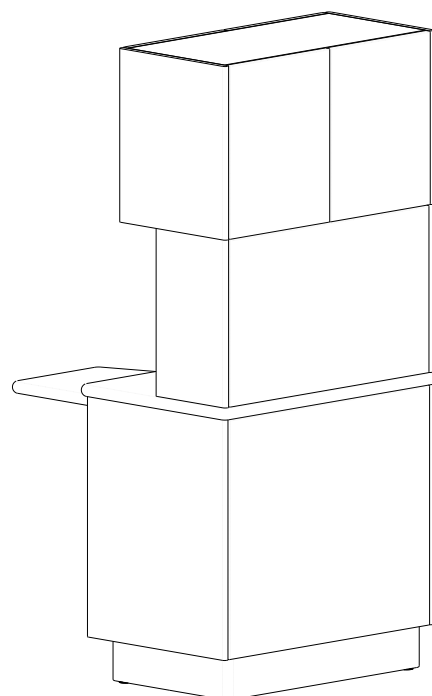
w/ Optional Finished Back Add... \$836.00

← OR →



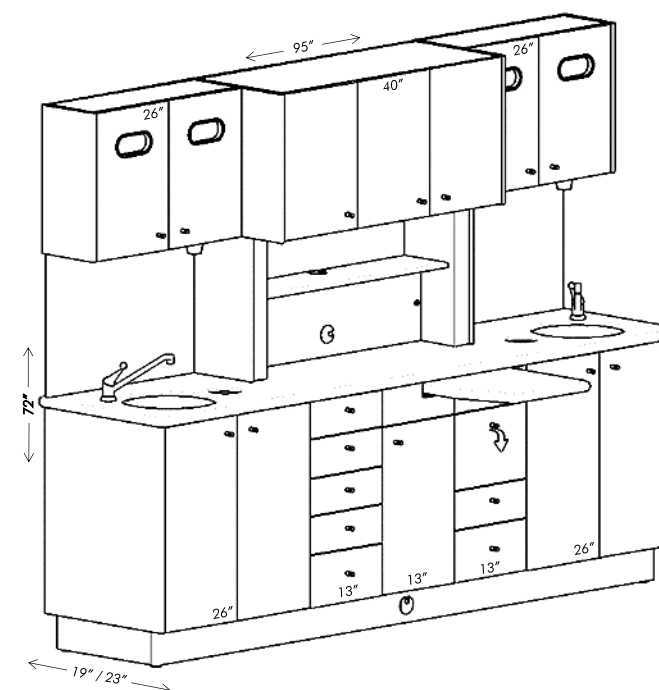
RS12 19" or 23"

w/ Solid Surface..... \$5,835.00
w/ Laminate..... \$5,214.00



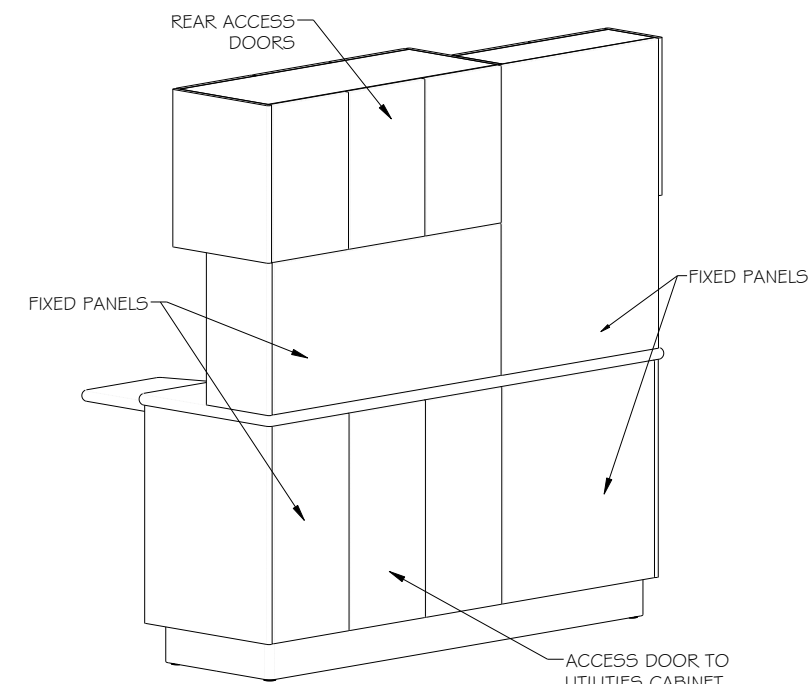
**w/ STANDARD FINISHED BACK
AND PASS THROUGH UPPERS**

Add \$330.00



**RS2 - Standard
19" or 23"**

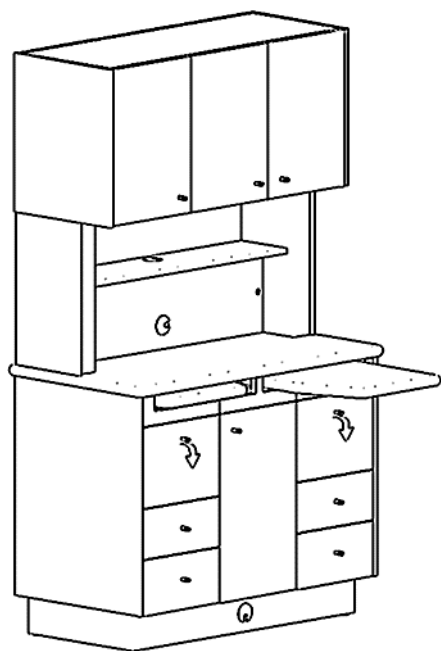
w/ Solid Surface..... \$8,579.00
w/ Laminate..... \$6,870.00



**RS1 / RS2
Finished Back**

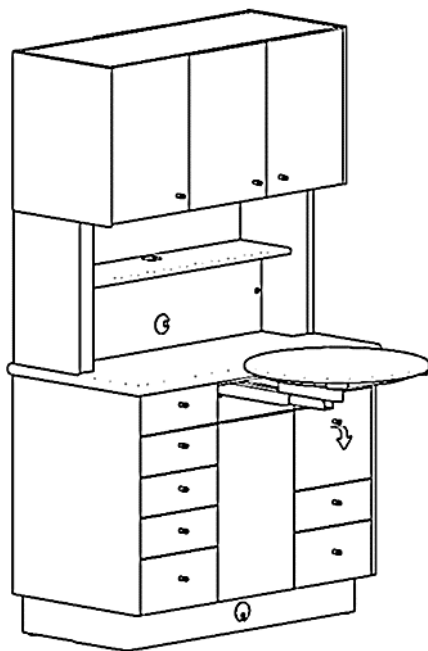
w/ Optional Finished Back Add... \$1,254.00

REAR SUPPORT CABINETS
OPTIONAL CONFIGURATIONS



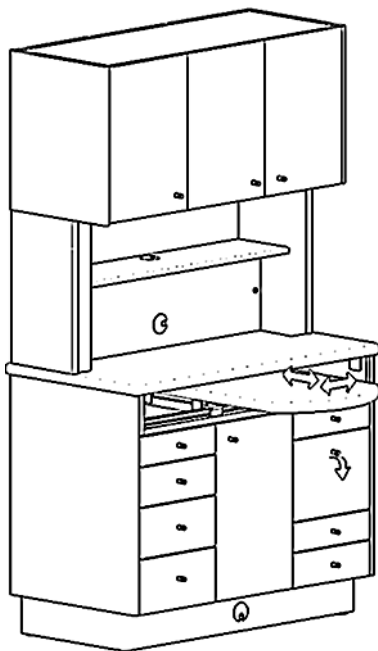
DUAL 1/2 PULL-OUT COUNTERS

w/ Solid Surface Add..... \$1,075.00
w/ Laminate Add..... \$759.00



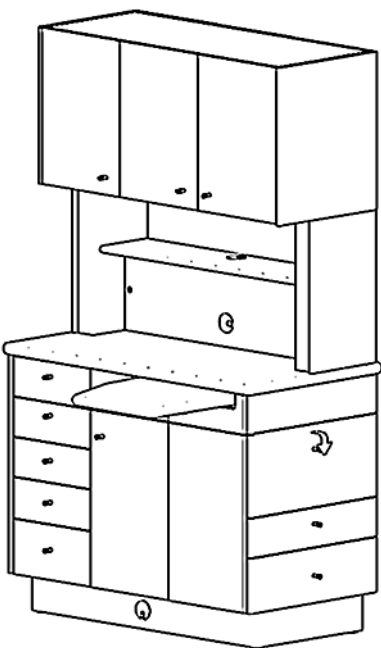
DUO SWING TABLE

Round Add..... \$1,034.00
Square Add..... \$792.00
Solid Surface Add..... \$158.00



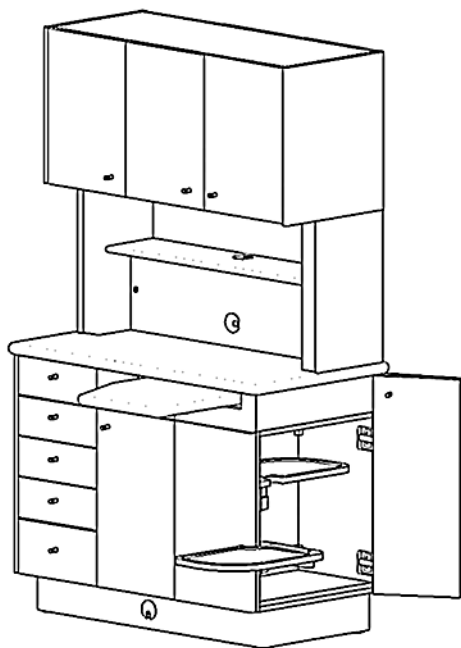
LINEAR SLIDING COUNTER

w/ Solid Surface Add..... \$1,174.00
w/ Laminate Add..... \$968.00



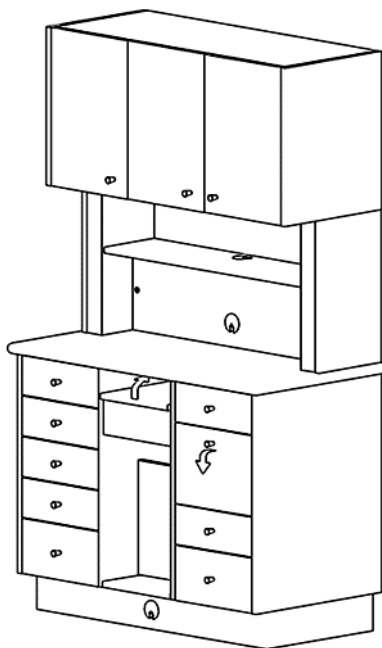
SIDE OPENING DRAWERS

Add (per side)..... \$209.00



SIDE OPENING SWING TRAY (2)

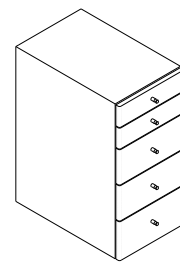
Add (per side)..... \$424.00
Extra Tray Add..... \$215.00
Solid Surface Add..... \$158.00



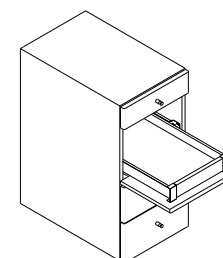
POWER DRAWER

w/ Solid Surface Add..... \$653.00
w/ Laminate Add..... \$495.00

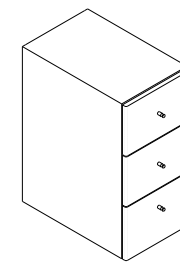
REAR SUPPORT CABINETS
DRAWER BANK OPTIONS



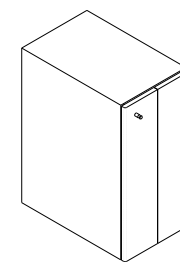
DOCTOR'S STYLE
..... N/C



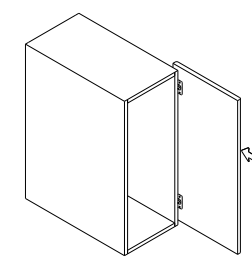
ASSISTANT'S STYLE
..... N/C



EQUIPMENT STYLE
..... N/C



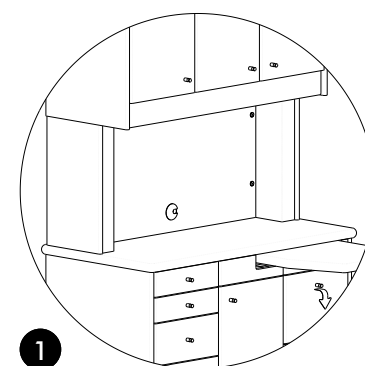
BI-FOLD STYLE
..... N/C



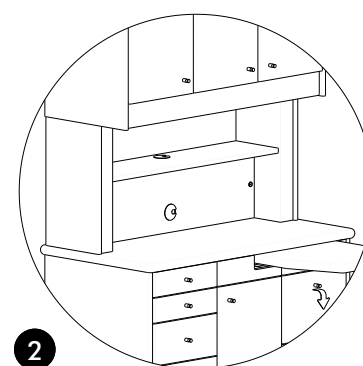
POCKET STYLE
..... \$165.00

Standard doctor's or assistant's drawers may be exchanged for any style shown above at the listed price.
To exchange utilities cabinet for any style drawer bank add \$534.00
To exchange utilities cabinet for bi-fold style add \$182.00

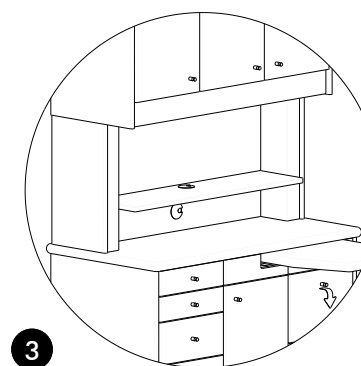
MID-SECTION HUTCH OPTIONS



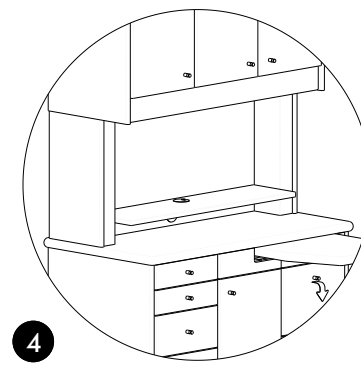
1 FULL SPLASH
..... N/C



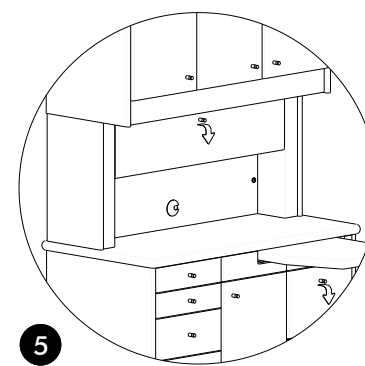
2 STANDARD SHELF
..... N/C



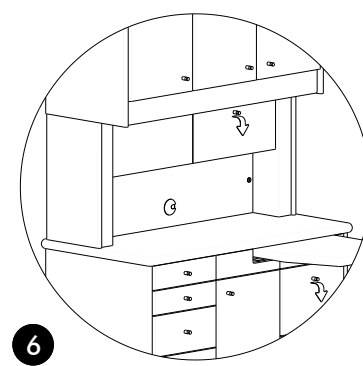
3 HALF HEIGHT SHELF
..... N/C



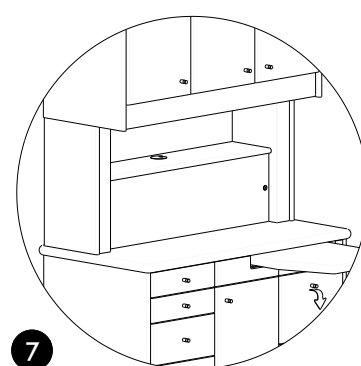
4 QUARTER HEIGHT SHELF
..... N/C



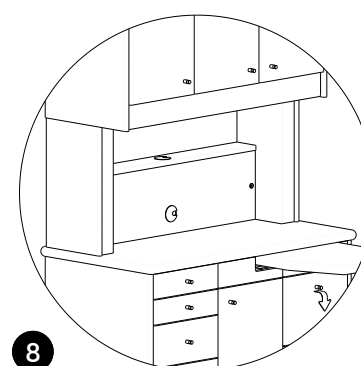
5 UPPER STORAGE
..... \$358.00



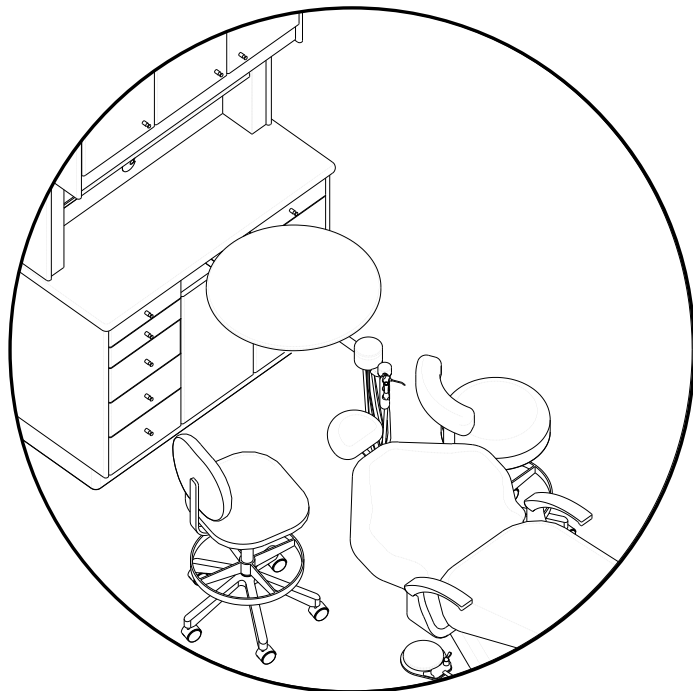
6 SPLIT STORAGE/ACCESSORY
..... \$413.00



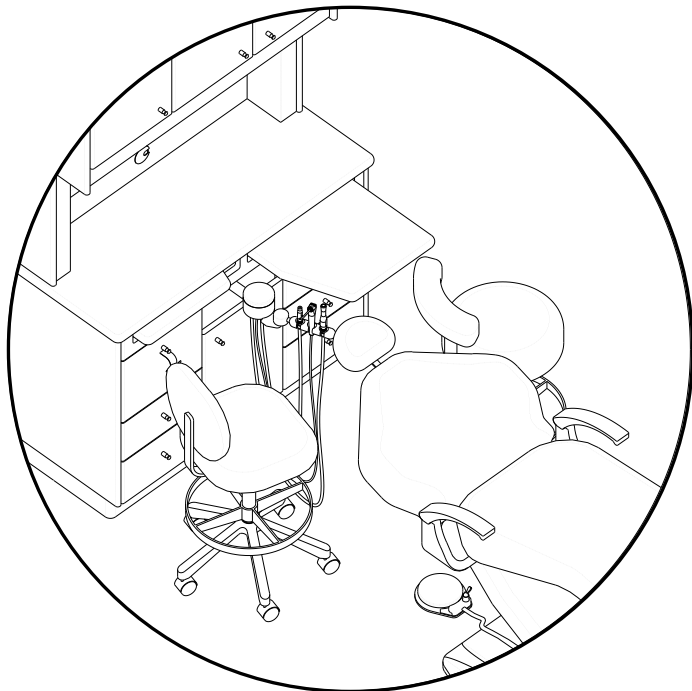
7 BASE ACCESSORY PANEL
..... N/C



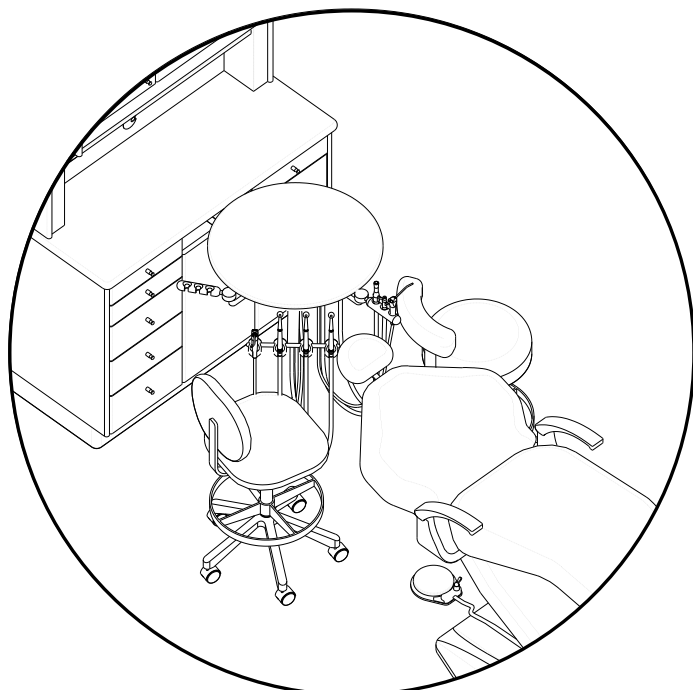
8 SHALLOW SHELF
..... N/C



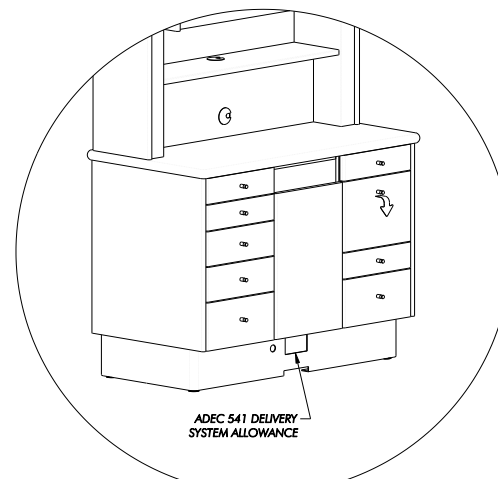
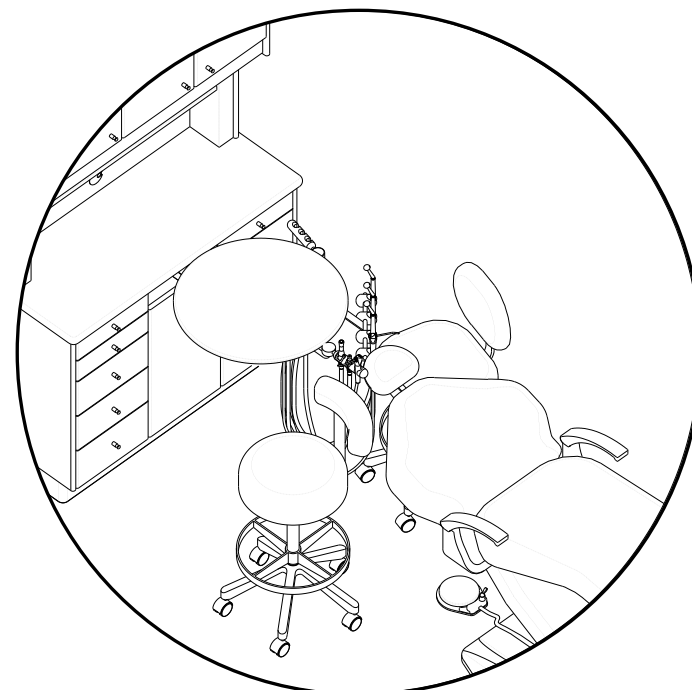
ASSISTANT'S ARM - SWING TABLE MOUNT



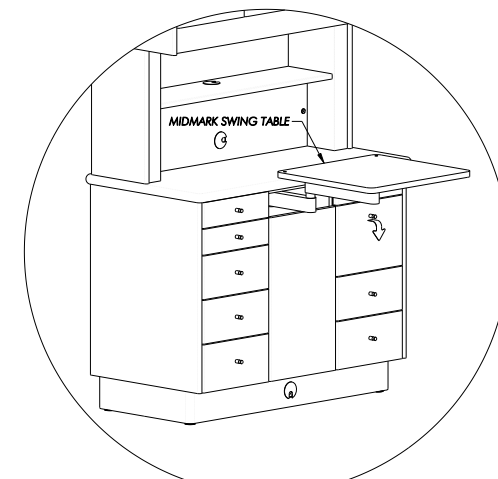
**ASSISTANT'S ARM
STANDARD OR DUAL PULL-OUT MOUNT**



AMBIDEXTROUS DOCTOR'S & ASSISTANT'S COMBINATION



ADEC DELIVERY SYSTEM ALLOWANCE
..... \$220.00



MIDMARK SWING TABLE ALLOWANCE
..... \$110.00

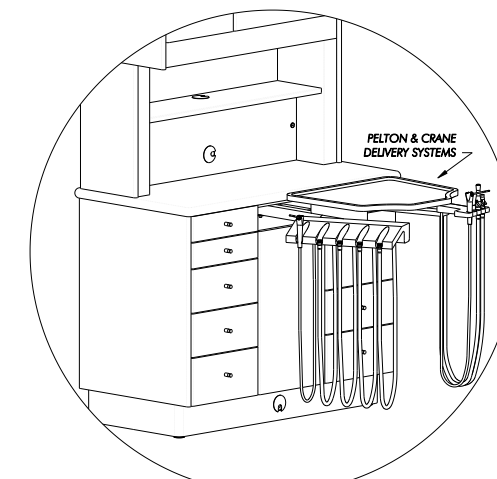
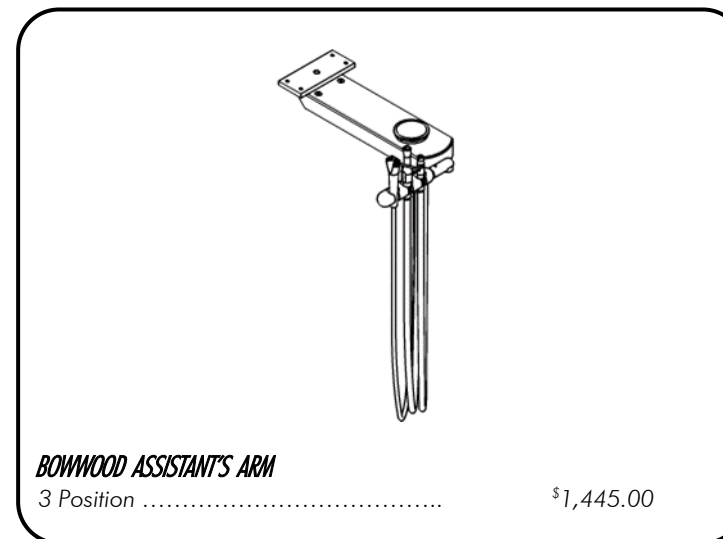
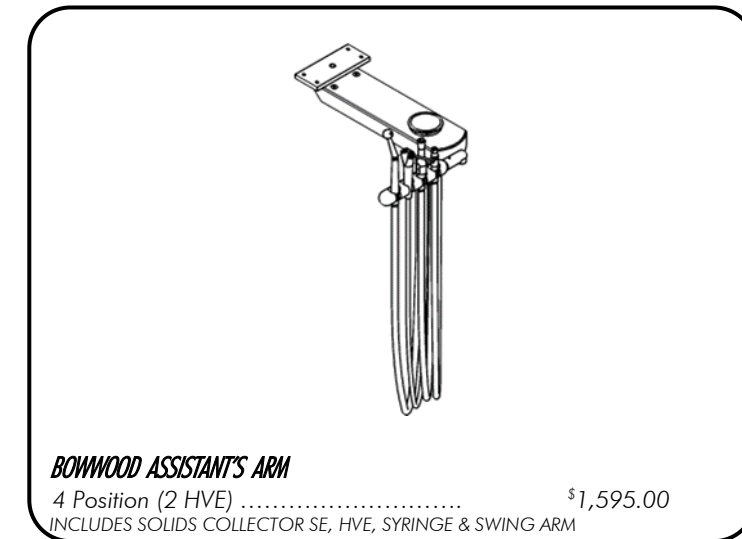


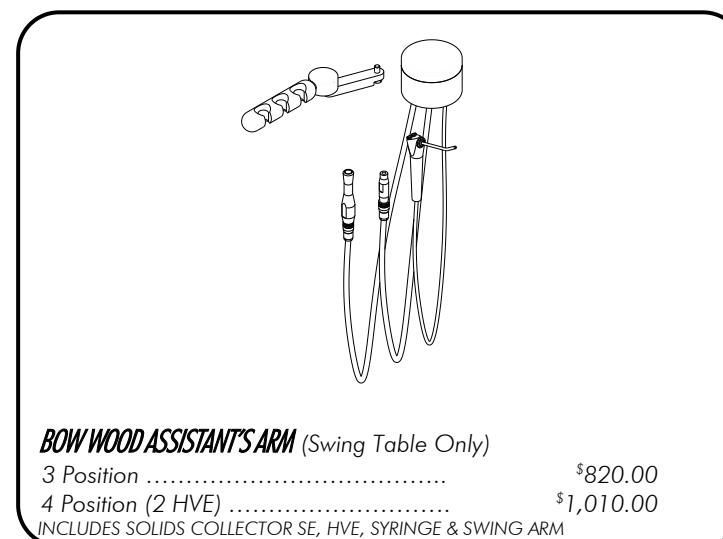
TABLE ALLOWANCE TO BEAVESATE
..... \$110.00



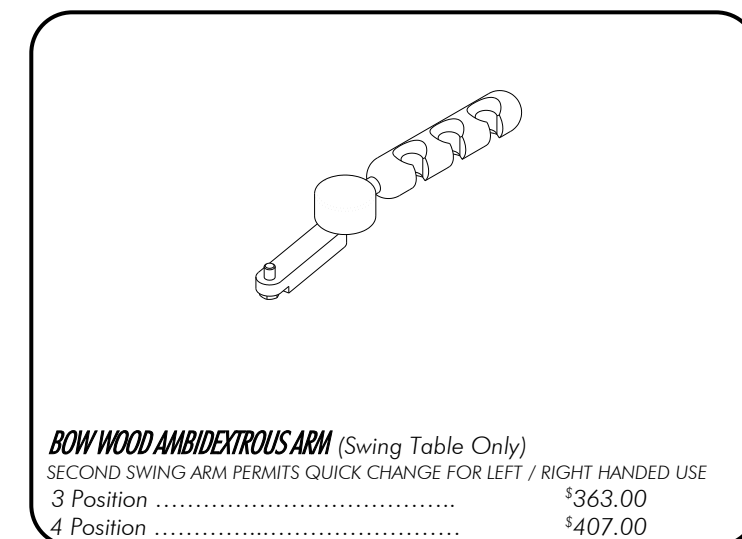
BOWWOOD ASSISTANT'S ARM
3 Position \$1,445.00



BOWWOOD ASSISTANT'S ARM
4 Position (2 HVE) \$1,595.00
INCLUDES SOLIDS COLLECTOR SE, HVE, SYRINGE & SWING ARM



BOWWOOD ASSISTANT'S ARM (Swing Table Only)
3 Position \$820.00
4 Position (2 HVE) \$1,010.00
INCLUDES SOLIDS COLLECTOR SE, HVE, SYRINGE & SWING ARM



BOWWOOD AMBIDEXTROUS ARM (Swing Table Only)
SECOND SWING ARM PERMITS QUICK CHANGE FOR LEFT / RIGHT HANDED USE
3 Position \$363.00
4 Position \$407.00


***6 MONTH WARRANTY**

REAR SUPPORT CABINETS

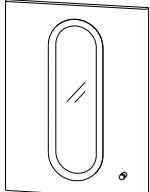
OPTIONS AND ACCESSORIES



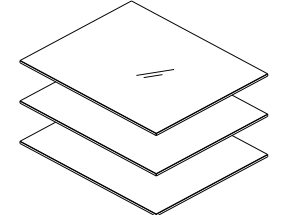
BowWood
cabinet systems



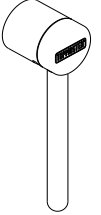
TASK LIGHT
..... \$173.00



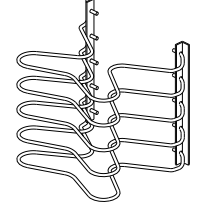
OVAL GLASS WINDOWS
..... \$138.00



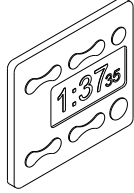
TEMPERED GLASS SHELF
Pkg of 3 \$145.00




FAUCET CONTROL
..... \$925.00



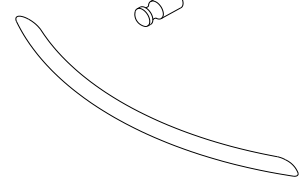
CHROME TUB-TRAY RACK
..... \$294.00



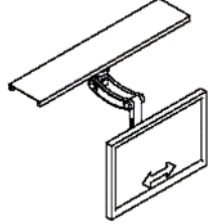
DIGITAL TIMER CLOCK
..... \$110.00



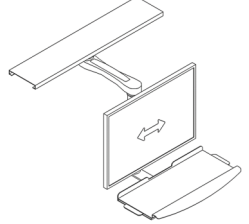
SOAP PUMP
..... \$153.00



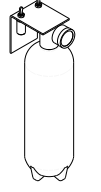
PULLS: KNOB/BOW PULL
..... N/C



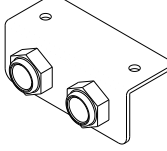
MONITOR ARM
..... \$963.00



MONITOR ARM w/ KEYBOARD
..... \$1,575.00



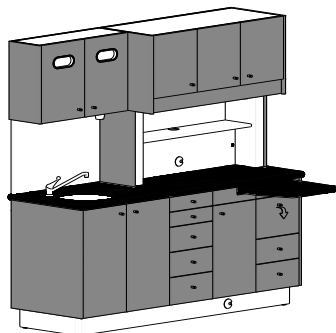
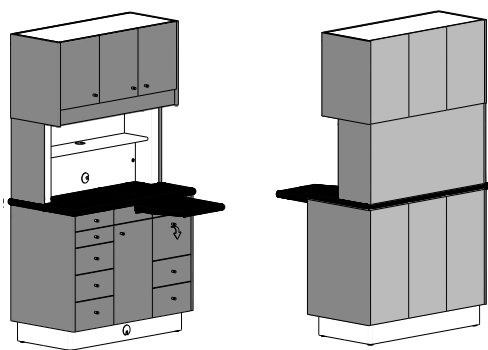
DCI DUAL WATER BOTTLE KIT
SELECTABLE CITY / STERILE WATER
..... \$463.00



SINGLE QUICK DISCONNECT
w/MOUNT & TUBING.... \$100.00
DUAL QUICK DISCONNECT
w/MOUNT & TUBING.... \$120.00

COLOR LOCATIONS

= BASE COLOR = ACCENT = FINISHED BACK = COUNTER TOP



BASE COLOR

Surf

ACCENT / FINISHED BACK COLORS

See standard color page for options.

COUNTER TOP COLORS

Solid Surface

See standard color page for options.

Plastic Laminate

See standard color page for options.

SPECIAL COLOR INFORMATION

Other solid surface colors and laminates from Wilsonart, Formica, Nevamar and Pionite are available, subject to an additional charge, per color, per order. Color sample chips and other information is available on the internet and at local dealers specializing in these materials.

*1/64" LEAD IN AREA SHOWN. BOW WOOD ACCEPTS NO RESPONSIBILITY FOR COMPLIANCE WITH YOUR LOCAL RADIATION PROTECTION LAWS. CHECK WITH YOUR GOVERNING BODY TO ASSURE COMPLIANCE.

REAR SUPPORT CABINETS

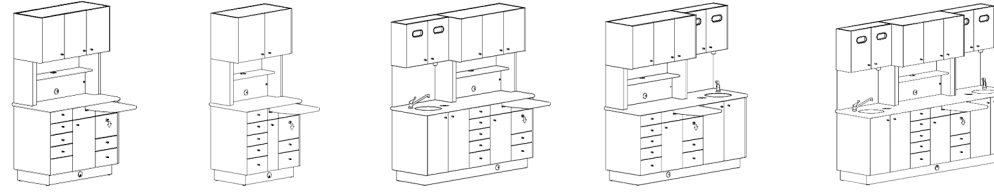
ORDER CHECKLIST



BowWood
cabinet systems

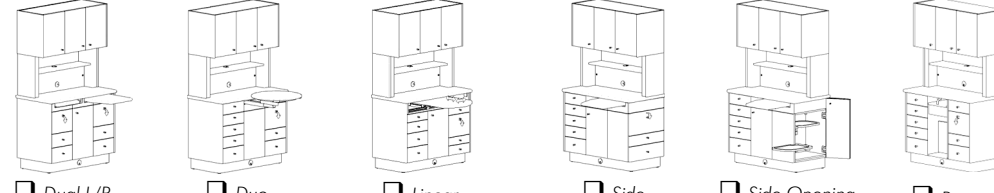
PLEASE MARK AN "X" CLEARLY IN THE APPROPRIATE BOXES

1 STANDARD CONFIGURATIONS



RS RS 12 RS1 L RS1 R RS2

2 OPTIONAL CONFIGURATIONS

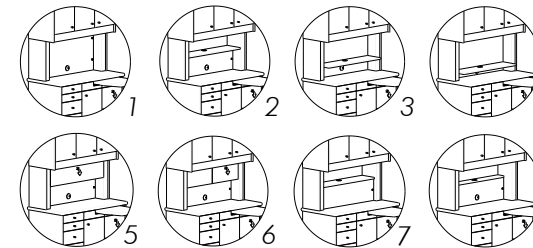


Dual L/R Sliding Counters Duo Swig Table Linear Sliding Counter Side Opening Drawers Side Opening Swing Tray Power Drawer

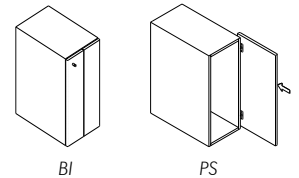
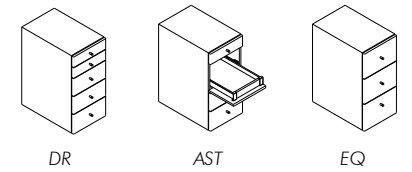
Dr Ast Dr Ast

3 HUTCH OPTIONS

- (1) Full Splash (2) Standard Shelf
- (3) Half Shelf (4) Quarter Shelf
- (5) Upper Storage
- (6) Split Storage/Accessory
- (7) Base Accessory Panel
- (8) Shallow Shelf



4 BANK OPTIONS



Dr's Side: DR AST EQ FP BI PS
Ast's Side: DR AST EQ FP BI PS
(Circle One)

Finished Back: Yes No
Depth: 23" 19"

Countertop: Svelte Solid Surface
 Laminate

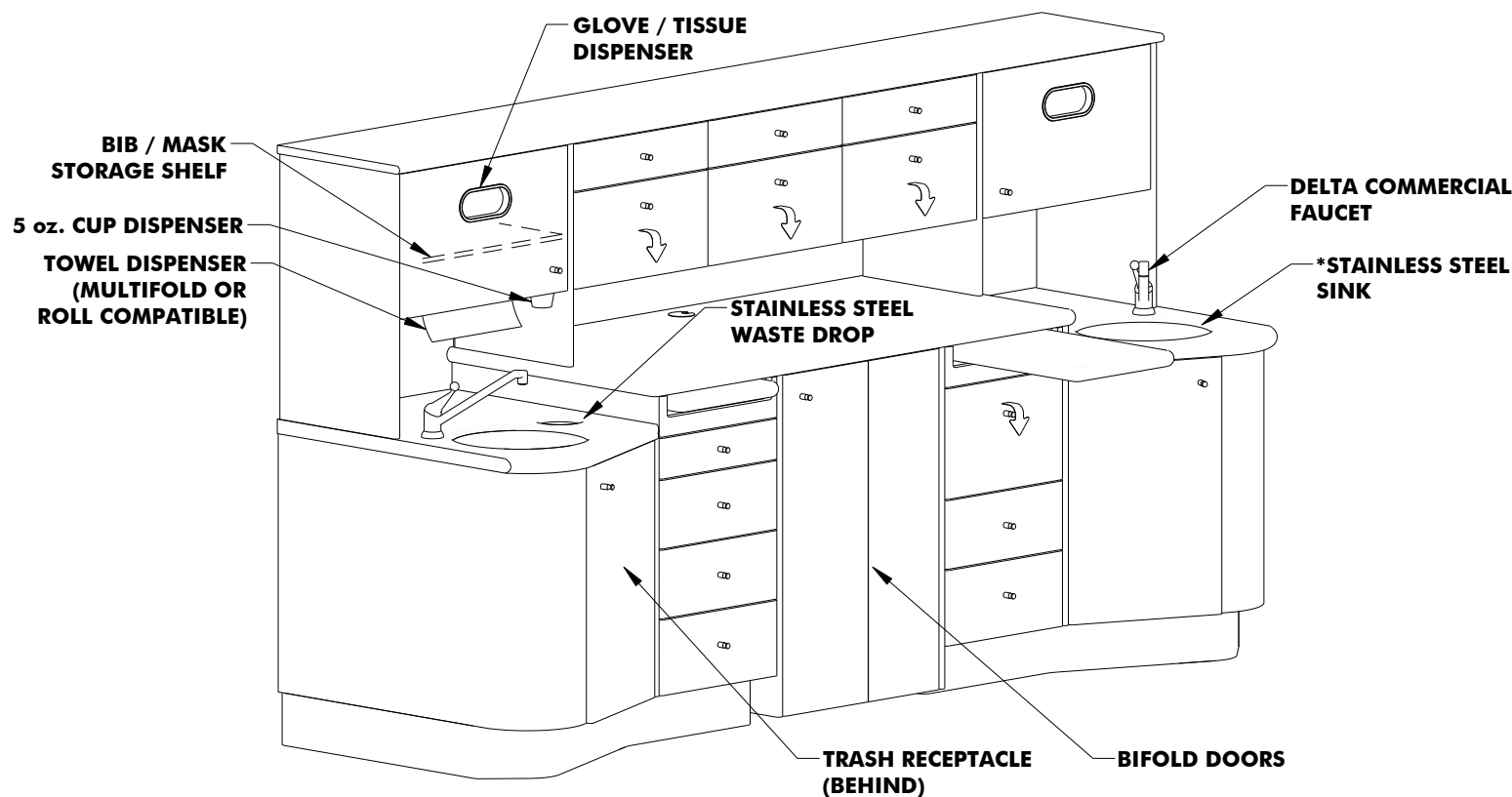
5 OPTIONS & ACCESSORIES

Hardware:	<input type="checkbox"/> Knob	<input type="checkbox"/> Bow-Pull	\$N/C
Task Light:	<input type="checkbox"/> No	<input type="checkbox"/> Yes	\$173.00 ea.
Oval Windows:	<input type="checkbox"/> No	<input type="checkbox"/> Yes (Qty: ____)	\$138.00 ea.
Tempered Glass Shelves	<input type="checkbox"/> No	<input type="checkbox"/> Yes (Qty-pkg of 3: ____)	\$145.00 ea.
Extra Glove Dispensers	<input type="checkbox"/> No	<input type="checkbox"/> Yes (Qty: ____)	\$110.00 ea.
Chrome Tub/Tray Racks:	<input type="checkbox"/> No	<input type="checkbox"/> Yes	\$294.00 ea.
Soap Pump:	<input type="checkbox"/> No	<input type="checkbox"/> Yes	\$153.00 ea.
Digital Timer Clock:	<input type="checkbox"/> No	<input type="checkbox"/> Yes	\$110.00 ea.
Foot Activated Faucet:	<input type="checkbox"/> No	<input type="checkbox"/> Yes	\$925.00 ea.
Monitor Arm:	<input type="checkbox"/> No	<input type="checkbox"/> Yes (w/ KEY TRAY <input type="checkbox"/>)	\$963.00 / 1,575.00 ea.
DCI Water Bottle Kit:	<input type="checkbox"/> No	<input type="checkbox"/> Yes	\$463.00 ea.
Quick Connect:	<input type="checkbox"/> No	<input type="checkbox"/> Single <input type="checkbox"/> Dual	\$100.00 / 120.00 ea.

Additional Options / Notes: _____

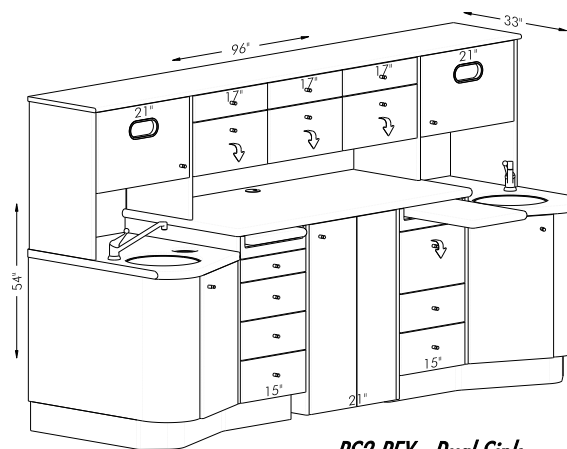
6 COLORS

Base Color: Surf Finished Back Color: _____ Countertop Color: _____
Accent Color: _____ (Colors chosen other than Bow Wood Select may be subject to an upcharge)



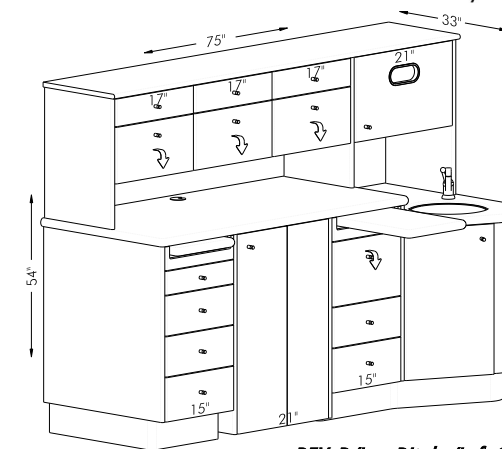
RS2 PEX

*Sink under mounted when ordered w/ Solid Surface countertop.
This cabinet is a direct replacement for a P & C 'Executive Cabinetry'.



RS2 PEX - Dual Sink

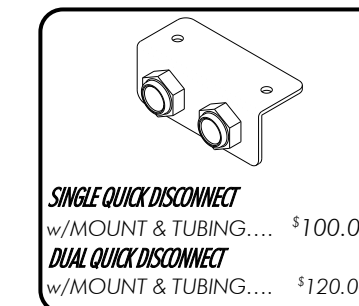
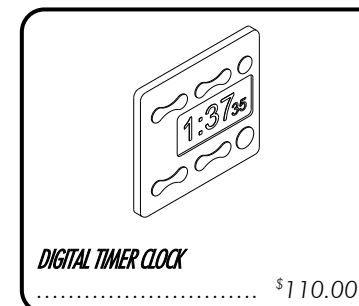
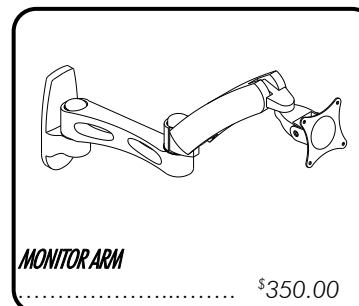
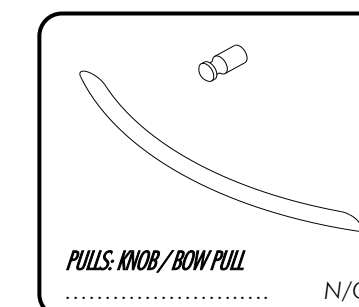
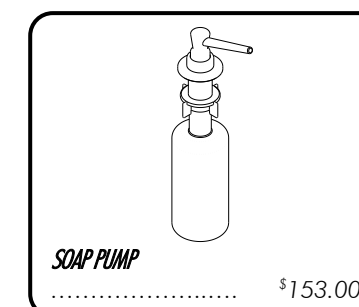
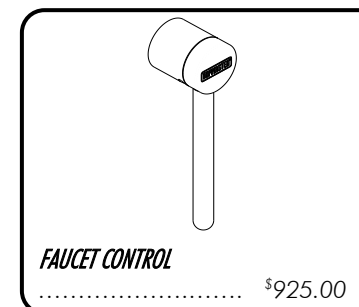
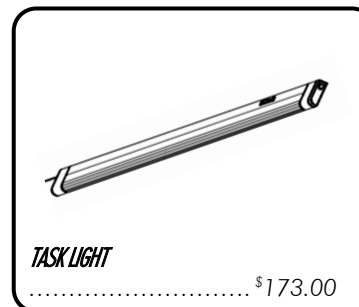
w/ Solid Surface..... \$14,344.00
w/ Laminate..... \$12,804.00



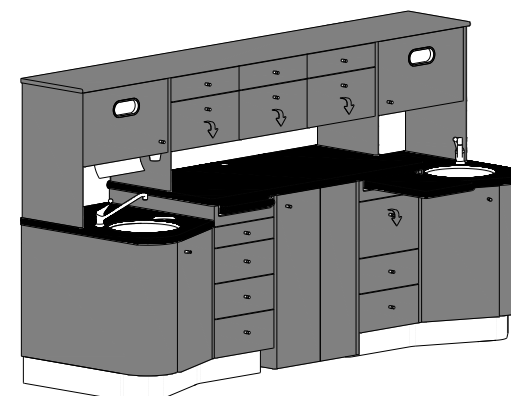
PEX-R/L - Right/Left Sink

w/ Solid Surface..... \$10,117.00
w/ Laminate..... \$8916.00

OPTIONS & ACCESSORIES



COLOR LOCATIONS



□ = BASE COLOR ■ = ACCENT ■ = COUNTER TOP

BASE COLOR
Surf

ACCENT / FINISHED BACK COLORS
See standard color page for options.

COUNTER TOP COLORS
Solid Surface
See standard color page for options.

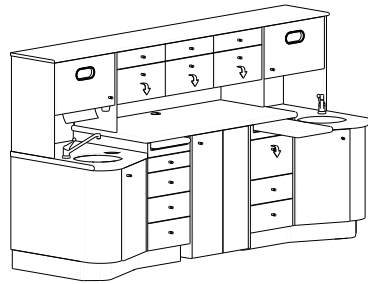
Plastic Laminate
See standard color page for options.

SPECIAL COLOR INFORMATION

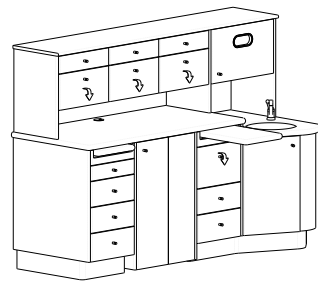
Other solid surface colors and laminates from Wilsonart, Formica, Nevamar and Pionite are available, subject to an additional charge, per color, per order. Color sample chips and other information is available on the internet and at local dealers specializing in these materials.

PLEASE MARK AN "X" CLEARLY IN THE APPROPRIATE BOXES

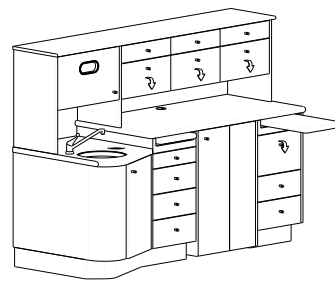
1 STANDARD CONFIGURATIONS



RS2 PEX



RS1 PEX-R

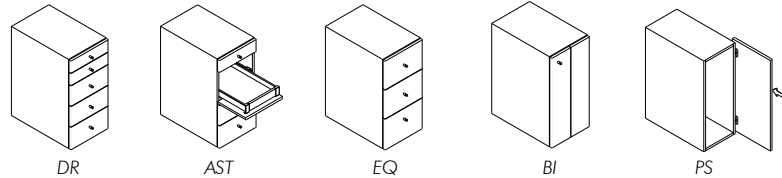


RS1 PEX-L

Countertop: Svelte Solid Surface Laminate

2 BANK OPTIONS

See page '7' for drawer bank pricing



Dr's Side: DR AST EQ FP BI PS
Ass't's Side: DR AST EQ FP BI PS
(Circle One)

3 HUTCH OPTIONS

Any hutch bank can be exchanged with those shown below at no extra cost.



(1) 1 Drawer, 1 Storage
(2) 2 Drawers
(3) 3 Drawers
(4) 1 Drawer, 1 Accessory Panel
(5) Full Accessory Panel

Place the hutch number in the respective blank:

Left _____
Middle _____
Right _____

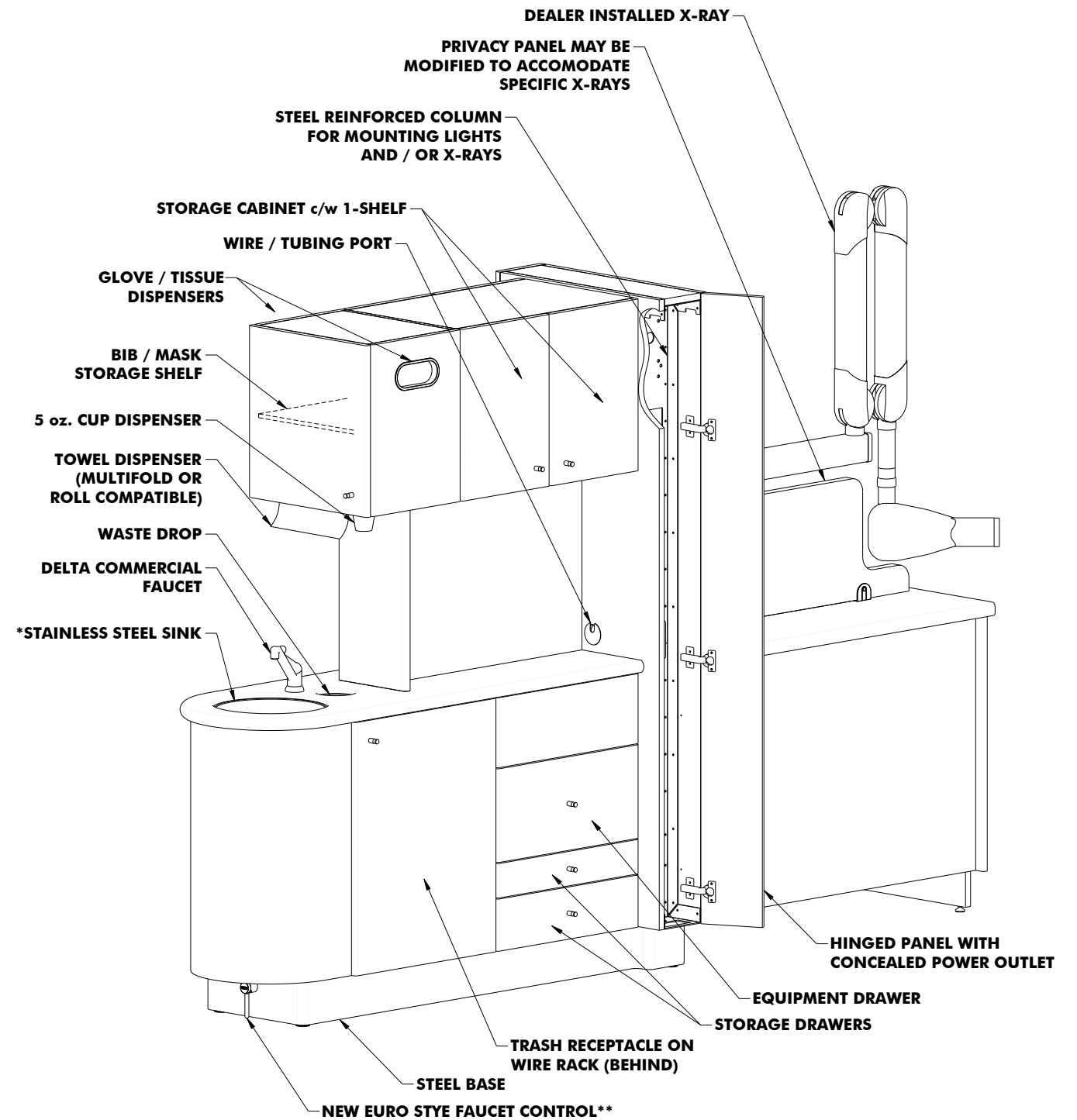
4 OPTIONS & ACCESSORIES

Hardware:	<input type="checkbox"/> Knob	<input type="checkbox"/> Bow-Pull	\$N/C
Task Light:	<input type="checkbox"/> No	<input type="checkbox"/> Yes	\$173.00 ea.
Extra Glove Dispensers	<input type="checkbox"/> No	<input type="checkbox"/> Yes (Qty: ____)	\$110.00 ea.
Soap Pump:	<input type="checkbox"/> No	<input type="checkbox"/> Yes	\$153.00 ea.
Digital Timer Clock:	<input type="checkbox"/> No	<input type="checkbox"/> Yes	\$110.00 ea.
Foot Activated Faucet:	<input type="checkbox"/> No	<input type="checkbox"/> Yes	\$925.00 ea.
Monitor Arm:	<input type="checkbox"/> No	<input type="checkbox"/> Yes (w/ KEY TRAY <input type="checkbox"/>)	\$350.00 ea.
DCI Water Bottle Kit:	<input type="checkbox"/> No	<input type="checkbox"/> Yes	\$463.00 ea.
Quick Connect:	<input type="checkbox"/> No	<input type="checkbox"/> Single <input type="checkbox"/> Dual	\$100.00 / 120.00 ea.

Additional Options / Notes: _____

5 COLORS

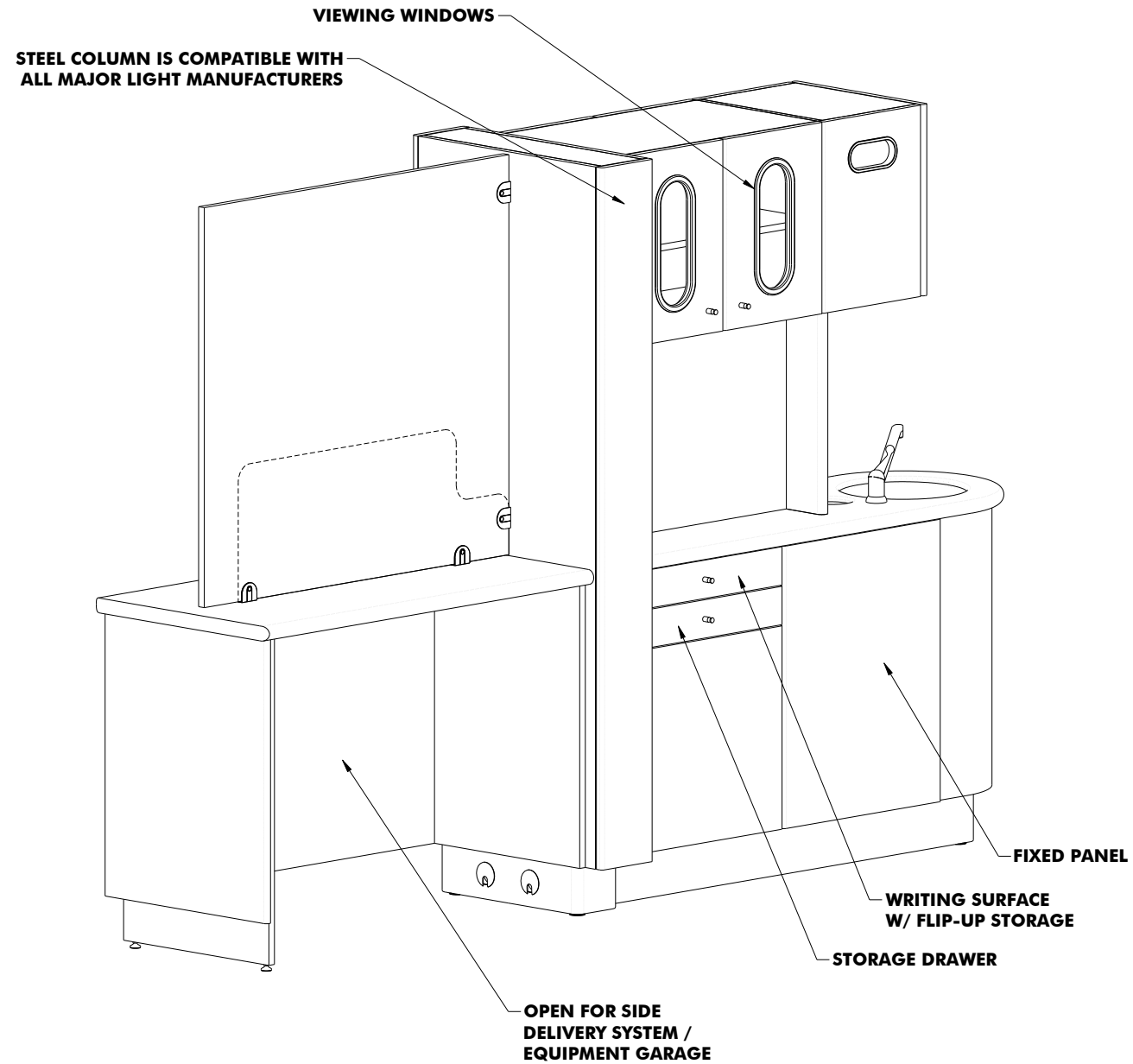
Base Color: Surf Countertop Color: _____
Accent Color: _____ (Colors chosen other than Bow Wood Select may be subject to an upcharge)



CIR
ASSISTANT'S SIDE

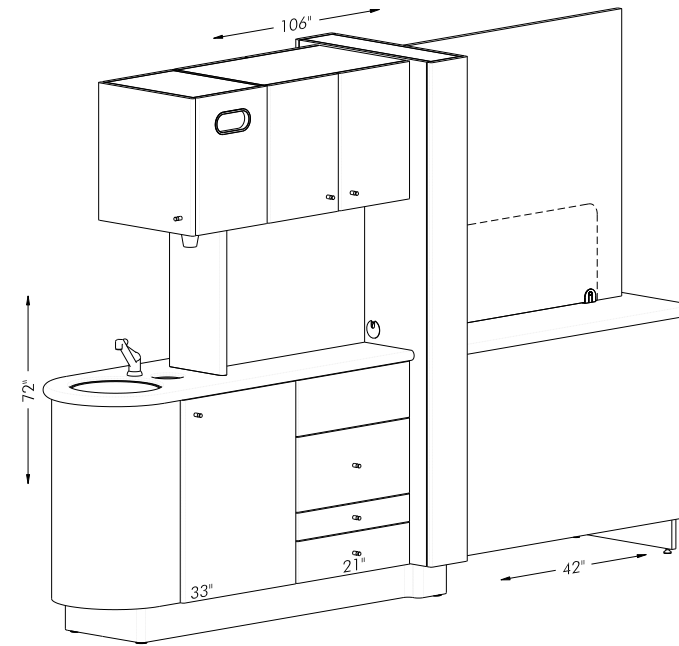
*Sink under mounted when ordered w/ Solid Surface countertop.
**Also available as dual.

Some features shown are optional extras.



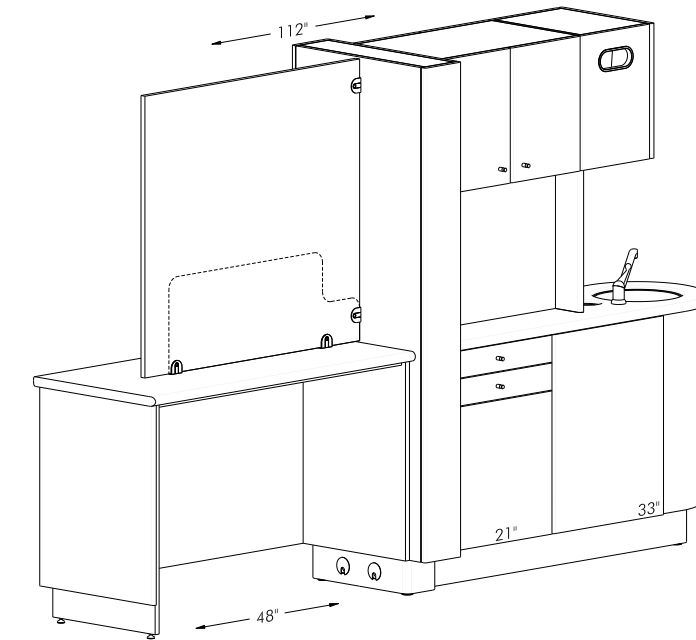
CIR
DOCTOR'S SIDE

Some features shown are optional extras.



ASSISTANT'S SIDE

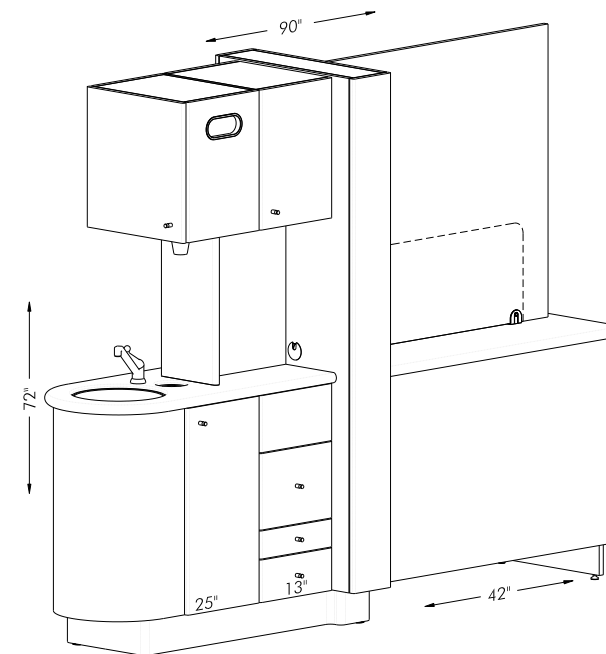
106" w/ Solid Surface.....	\$8,204.00
106" w/ Laminate.....	\$7,429.00



CIR

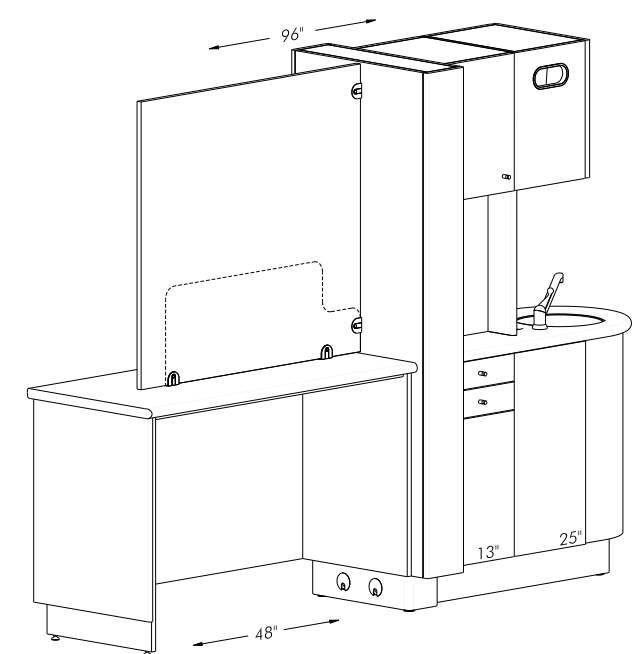
DOCTOR'S SIDE

112" w/ Solid Surface.....	\$8,371.00
112" w/ Laminate.....	\$7,596.00



ASSISTANT'S SIDE

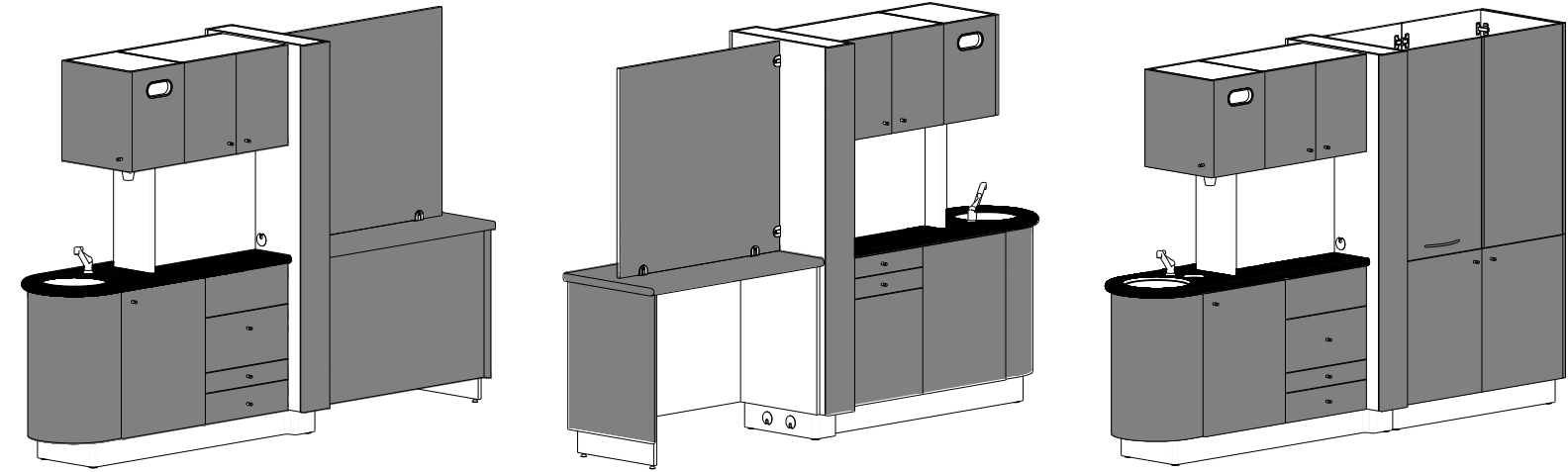
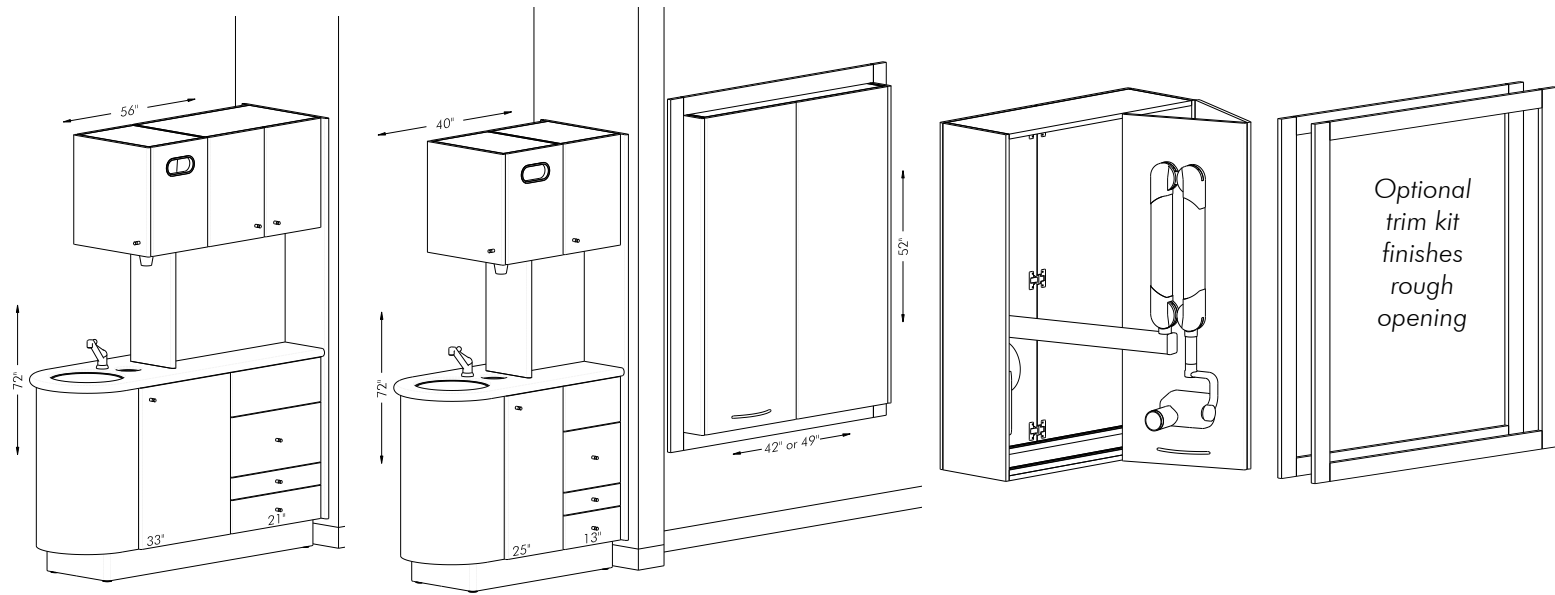
90" w/ Solid Surface.....	\$7,132.00
90" w/ Laminate.....	\$6,613.00



CIRS

DOCTOR'S SIDE

96" w/ Solid Surface.....	\$7,299.00
96" w/ Laminate.....	\$6,780.00



□ = BASE COLOR ■ = ACCENT ■ = COUNTER TOP

CIR H		CIRS H		X-RAY PASS THRU	
56" w/ Solid Surface.....	\$5,549.00	40" w/ Solid Surface.....	\$4,525.00	43" or 49"	\$1,633.00
56" w/ Laminate.....	\$4,744.00	40" w/ Laminate.....	\$3,933.00	With Lead Lining	\$2,963.00
				Trim Kit	\$547.00

BASE COLOR
Surf

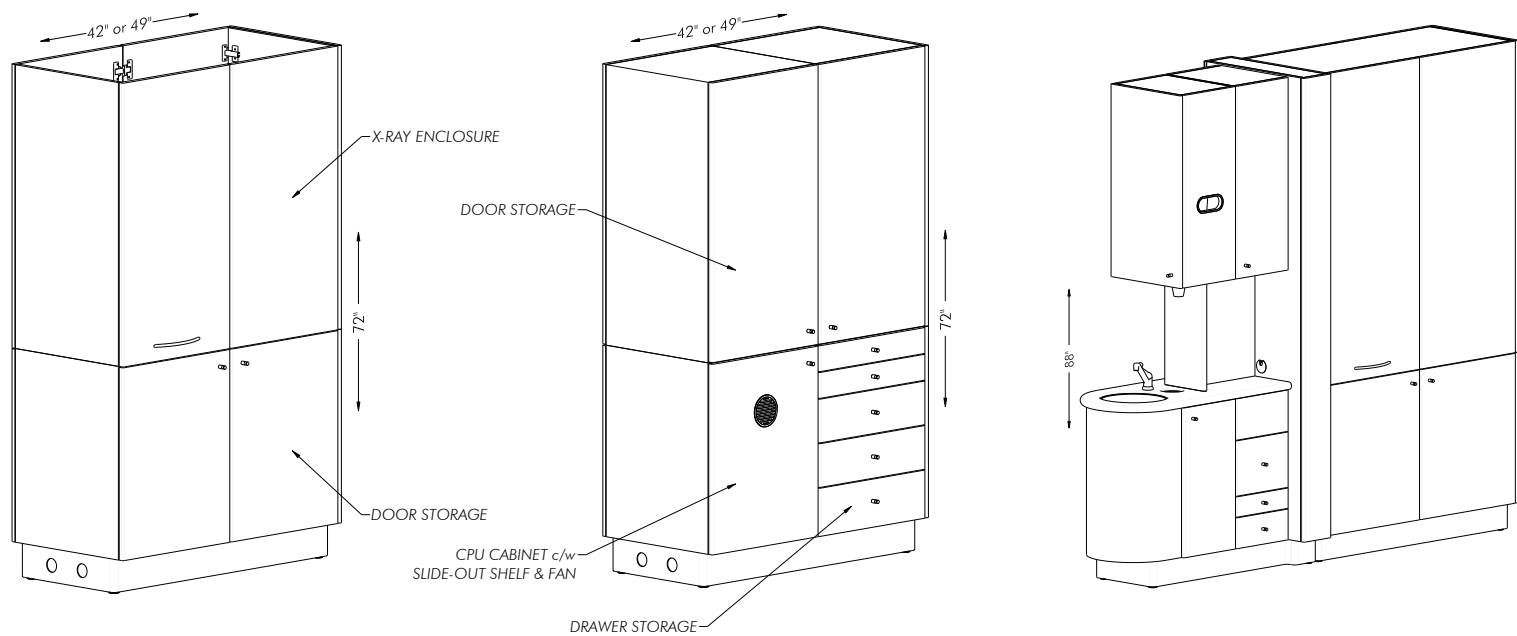
ACCENT/ FINISHED BACK COLORS
See standard color page for options.

COUNTER TOP COLORS
Solid Surface
See standard color page for options.

Plastic Laminate
See standard color page for options.

SPECIAL COLOR INFORMATION
Other solid surface colors and laminates from Wilsonart, Formica, Nevamar and Pionite are available, subject to an additional charge, per color, per order. Color sample chips and other information is available on the internet and at local dealers specializing in these materials.

OPTIONAL CONFIGURATIONS



OPTIONS & ACCESSORIES

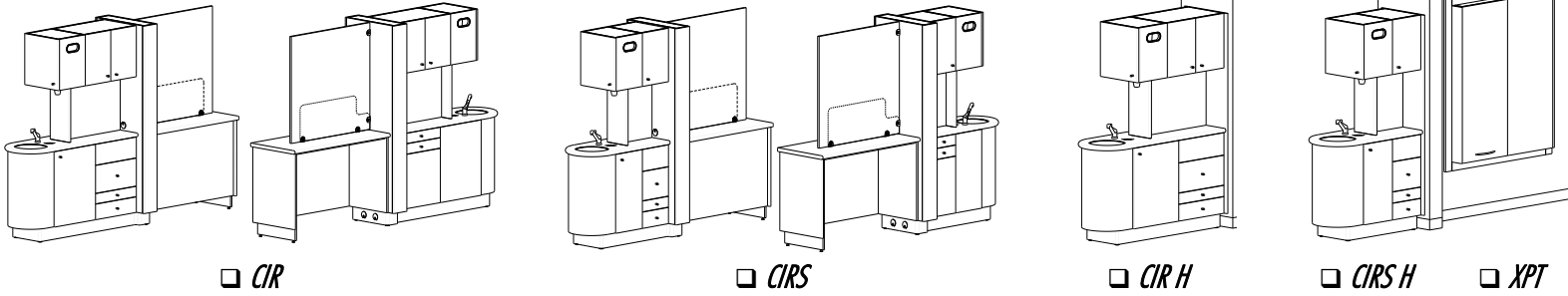
 CPU PULL-OUT w/ FAN \$506.00	 PULLS: KNOB/BOW PULL N/C	 SOAP PUMP \$153.00
 RADIATION PROTECTION* PRICE ON APPLICATION	 RADIATION PROTECTION* PRICE ON APPLICATION	 RADIATION PROTECTION* PRICE ON APPLICATION

*1/64" LEAD IN AREA SHOWN. BOW WOOD ACCEPTS NO RESPONSIBILITY FOR COMPLIANCE WITH YOUR LOCAL RADIATION PROTECTION LAWS. CHECK WITH YOUR GOVERNING BODY TO ASSURE COMPLIANCE.

END OPTION ADDITIONS		TALL OPTION ADDITIONS	
X-ray Enclosure	\$1,311.00	CIR Add	\$874.00
Base Storage	\$1,093.00	CIRS Add	\$765.00
		If With X-ray Enclosure or	
		Upper Storage Add	\$219.00
		Upper Storage	\$1,311.00
		Drawer Storage/ CPU	\$1,783.00

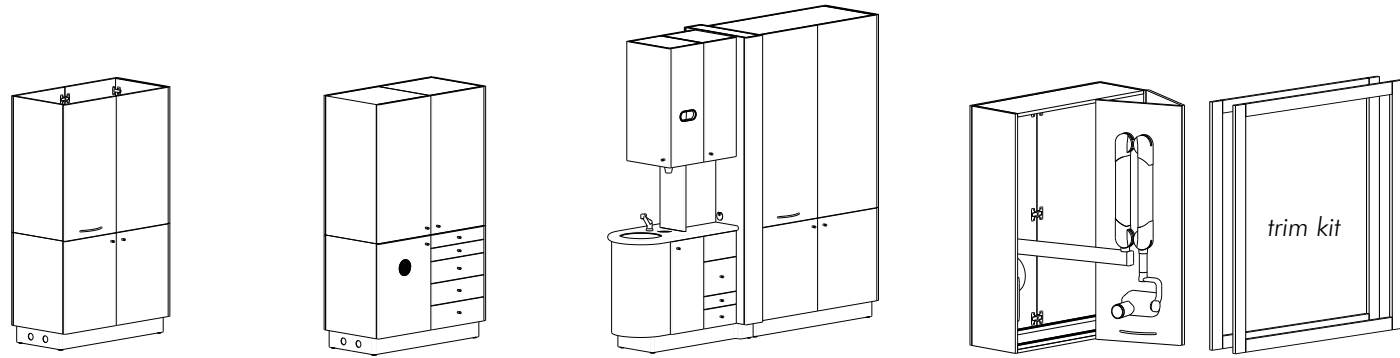
PLEASE MARK AN "X" CLEARLY IN THE APPROPRIATE BOXES

1 STANDARD CONFIGURATIONS



CIR: 106" 112" CIRS: 90" 96" PT: 42" 49" Countertop: Svelte Solid Surface Laminate

2 OPTIONAL CONFIGURATIONS



- X-ray Enclosure
- Base Storage
- Upper Storage
- Drawer Storage
- CPU Cabinet
- Tall CIR
- Tall CIRS
- Tall X-ray Enclosure
- Tall Upper Storage
- w/ Lead Lining
- Trim Kit

3 OPTIONS & ACCESSORIES

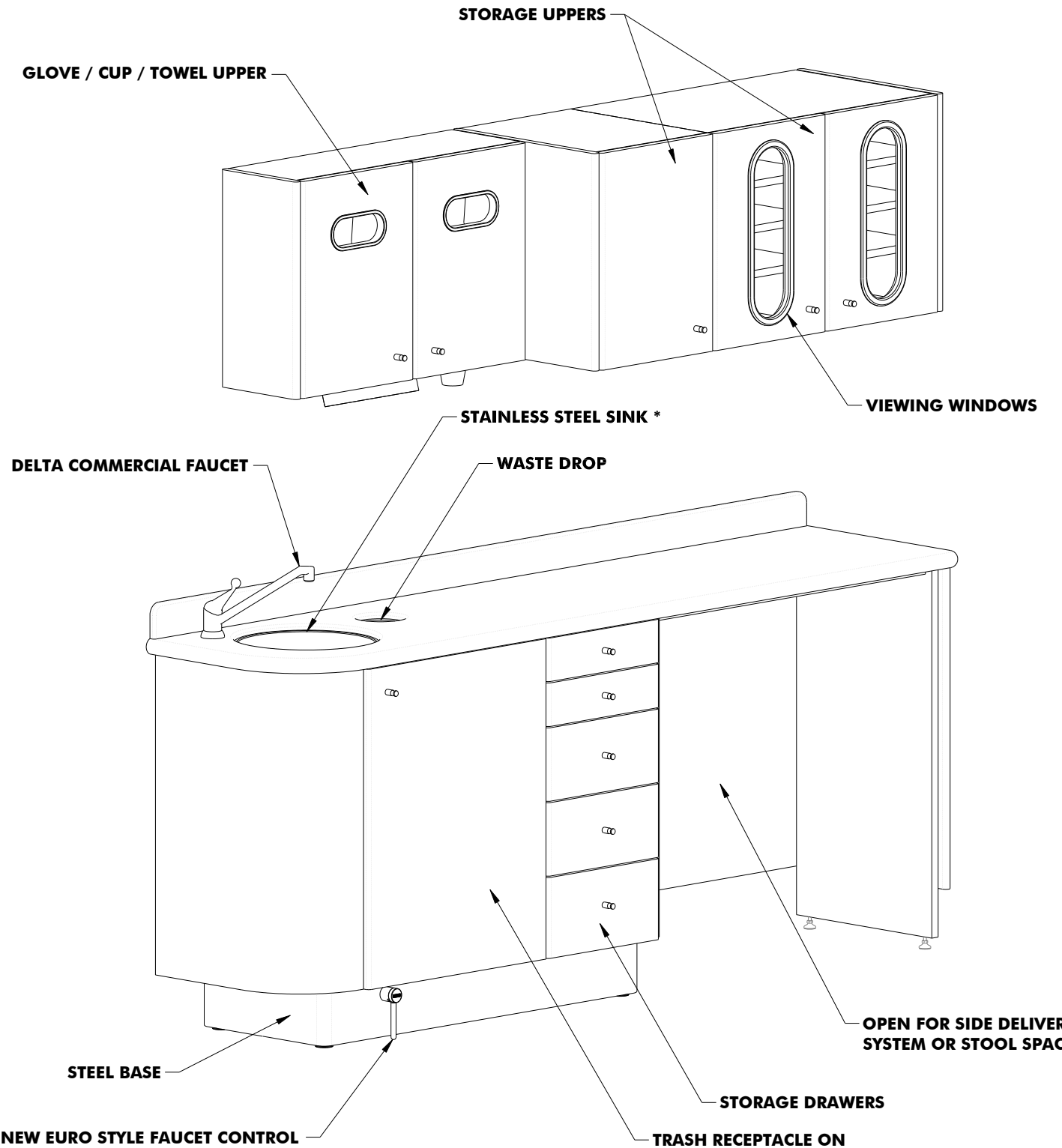
Hardware:	<input type="checkbox"/> Knob	<input type="checkbox"/> Bow-Pull	\$N/C
Oval Windows:	<input type="checkbox"/> No	<input type="checkbox"/> Yes (Qty: _____)	\$138.00 ea.
Extra Glove Dispensers	<input type="checkbox"/> No	<input type="checkbox"/> Yes (Qty: _____)	\$110.00 ea.
Soap Pump:	<input type="checkbox"/> No	<input type="checkbox"/> Yes	\$153.00 ea.
Foot Activated Faucet:	<input type="checkbox"/> No	<input type="checkbox"/> Yes	\$925.00 ea.
Dual Foot Activated Faucet:	<input type="checkbox"/> No	<input type="checkbox"/> Yes	\$1,320.00 ea.
R.P. - Sink End:	<input type="checkbox"/> No	<input type="checkbox"/> Yes	PRICE ON APPLICATION
R.P. - X-ray Enclosure:	<input type="checkbox"/> No	<input type="checkbox"/> Yes	PRICE ON APPLICATION
R.P. - Full Island:	<input type="checkbox"/> No	<input type="checkbox"/> Yes	PRICE ON APPLICATION

Additional Options / Notes: _____

To Fit Lights: No Yes Make: _____ Model: _____
 To Fit X-ray: No Yes Make: _____ Model: _____

4 COLORS

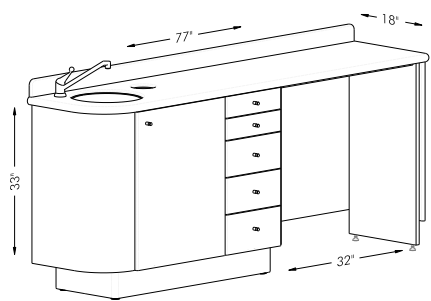
Base Color: Surf Countertop Color: _____
 Accent Color: _____ (Colors chosen other than Bow Wood Select may be subject to an upcharge)



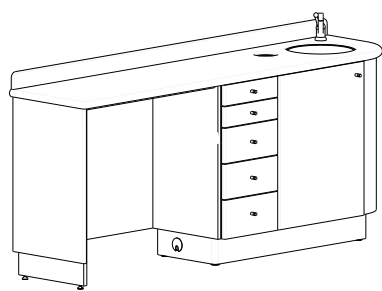
DRSL

*Sink under mounted when ordered w/ Solid Surface countertop.

Some features shown are optional extras.

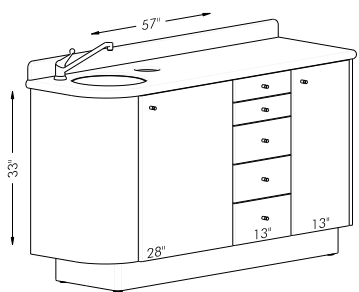


DRSL

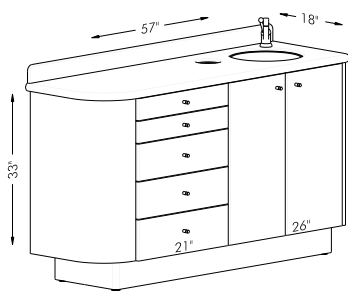


DRSR

w/ Solid Surface..... \$4,497.00
w/ Laminate..... \$3,152.00



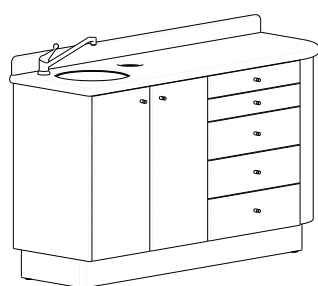
ASTL



ASTL-T

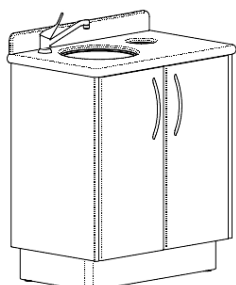


ASTR

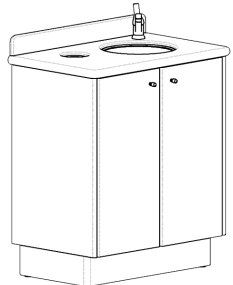


ASTR-T

w/ Solid Surface..... \$3,985.00
w/ Laminate..... \$3,075.00



WSL



WSR



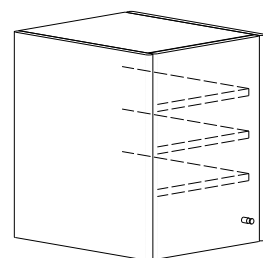
WSLD



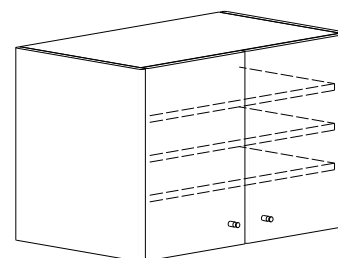
WSRD

w/ Solid Surface..... \$2,213.00
w/ Laminate..... \$1,851.00

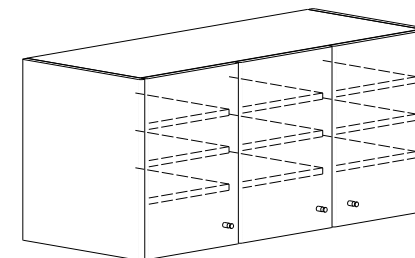
w/ Solid Surface..... \$2,565.00
w/ Laminate..... \$2,203.00



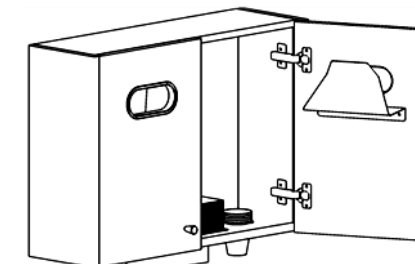
STU-1



STU-2



STU-3

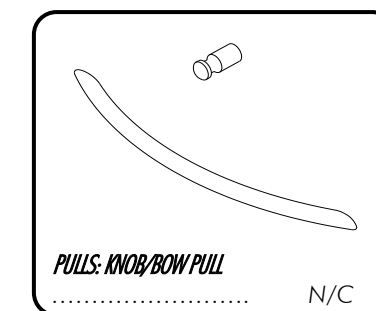
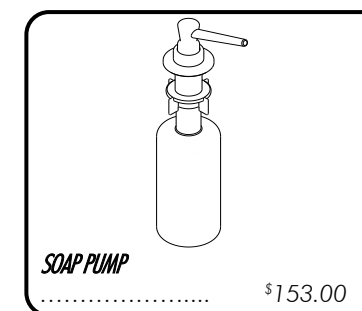
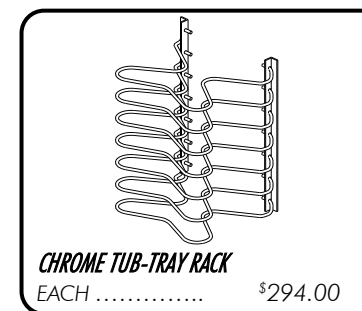
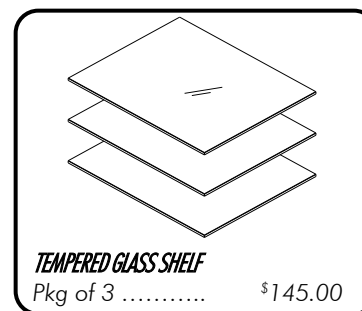
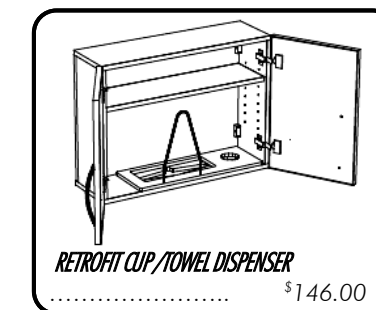
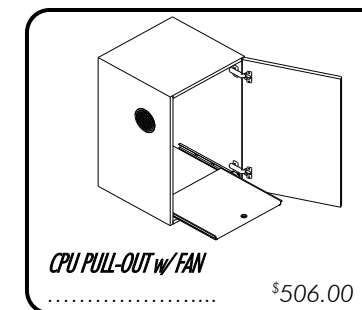
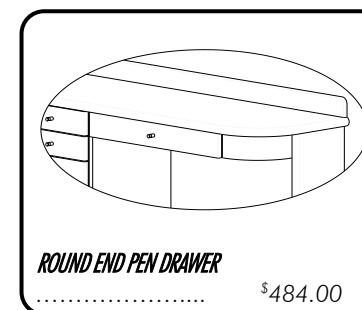
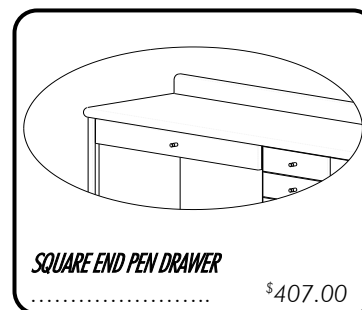


GCT

STU-1 13" Double Door \$369.00
STU-2 26" Double Door \$473.00
STU-3 40" Triple Door \$836.00

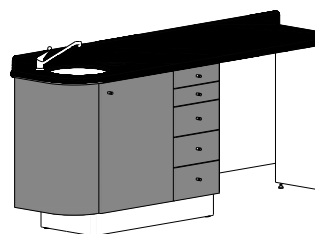
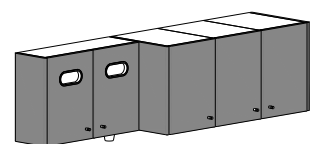
GCT 26" Double Door \$611.00

OPTIONS & ACCESSORIES



COLOR LOCATIONS

□ = BASE COLOR ■ = ACCENT ■ = COUNTER TOP



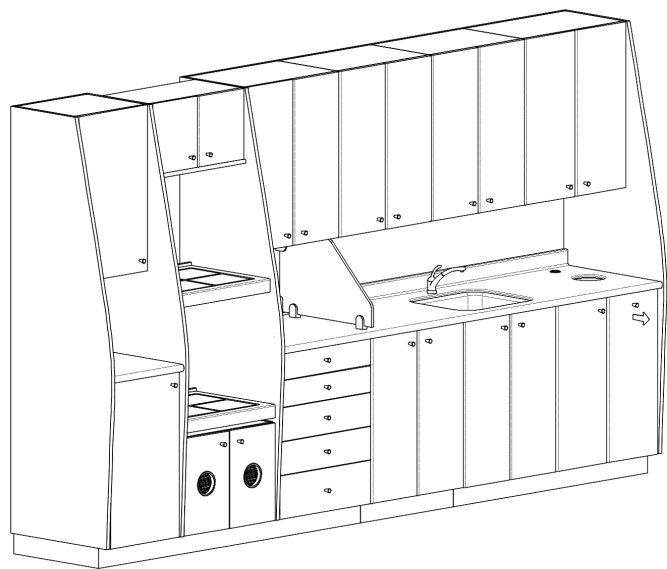
BASE COLOR
Surf

ACCENT / FINISHED BACK COLORS
See standard color page for options.

COUNTER TOP COLORS
Solid Surface
See standard color page for options.

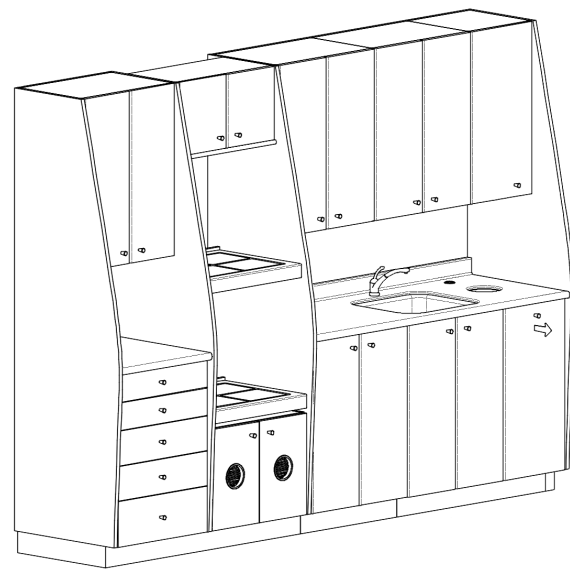
Plastic Laminate
See standard color page for options.

SPECIAL COLOR INFORMATION
Other solid surface colors and laminates from Wilsonart, Formica, Nevamar and Pionite are available, subject to an additional charge, per color, per order. Color sample chips and other information is available on the internet and at local dealers specializing in these materials.



SC12 - 12' Steri

w/ Solid Surface \$15,886.00
w/ Laminate \$14,014.00



SC10 - 10' Steri

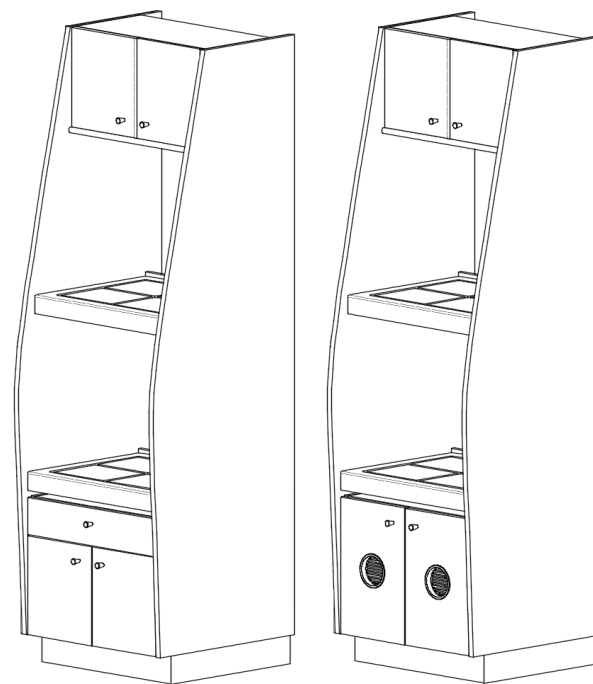
w/ Solid Surface \$13,788.00
w/ Laminate \$12,133.00



SC-GS - Galley Style 8'x8'

w/ Solid Surface \$19,690.00
w/ Laminate \$17,193.00

Sterilization Cabinets may be reversed left to right at no charge
Custom Sterilization Center Design available upon request



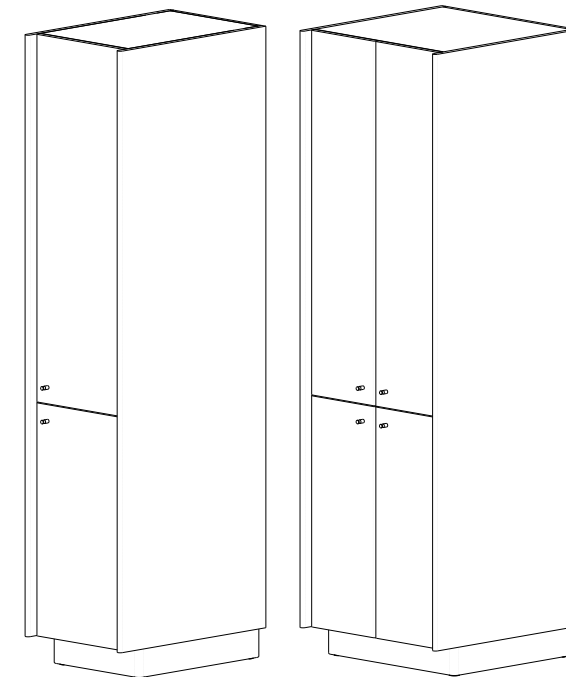
TOWER

SCT Standard \$3,775.00
SCT w/ Fan \$3,965.00



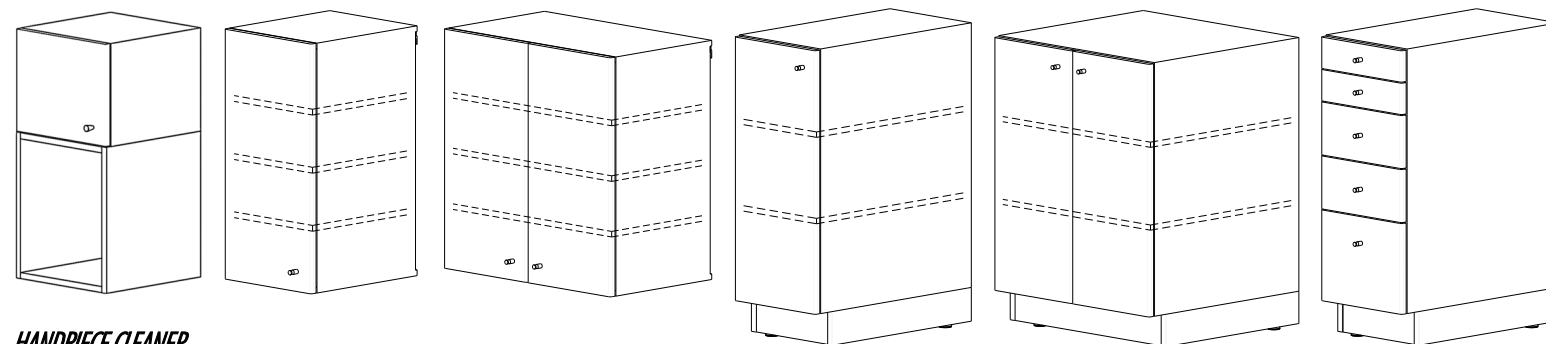
END PANEL

Curved \$395.00



PANTRY MODULES

18" \$1,804.00
26" \$2,016.00



HANDPIECE CLEANER

UPPER

12" ... \$409.00
13" ... \$409.00
16" ... \$409.00
20" ... \$409.00

SINGLE DOOR UPPER

12" ... \$409.00
13" ... \$409.00
16" ... \$409.00
20" ... \$409.00

DOUBLE DOOR UPPER

24" ... \$565.00
26" ... \$565.00
28" ... \$565.00
32" ... \$565.00

SINGLE DOOR BASE

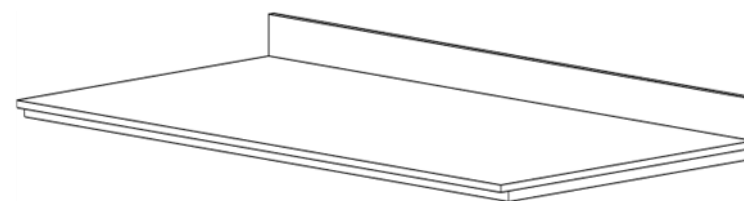
12" ... \$482.00
13" ... \$482.00
16" ... \$482.00
20" ... \$482.00

DOUBLE DOOR BASE

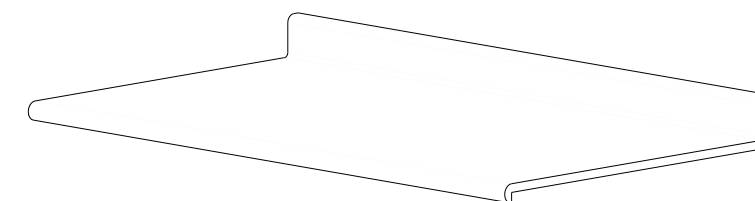
24" ... \$622.00
26" ... \$622.00
28" ... \$622.00
32" ... \$622.00

DRAWER BANK

12" ... \$852.00
13" ... \$852.00
16" ... \$852.00
20" ... \$852.00



CORIAN COUNTER PER FOOT \$414.00
SVELTE PROFILE with COVERED SPLASH



LAMINATE COUNTER PER FOOT \$207.00

Consult your local Bow Wood representative for custom set-ups.



PLEASE MARK AN "X" CLEARLY IN THE APPROPRIATE BOXES

EXTRA CORIAN PULL-OUT
Each \$825.00

RED OR BLUE DISPLAY LIGHT
Behind Windows \$195.00

ALUMINUM FRAMED GLASS DOOR
..... \$182.00

FAUCET CONTROL
..... \$925.00

TEMPERED GLASS SHELF
Pkg of 3 \$145.00

CHROME TUB-TRAY RACK
..... \$369.00

SOAP PUMP
..... \$153.00

PULLS: KNOB/BOW PULL
..... N/C

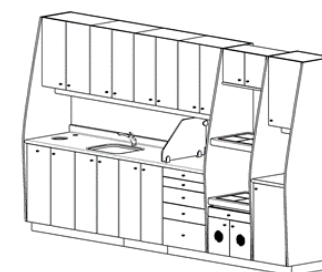
CORIAN DIVIDER
..... \$275.00

EXTRA WASTE \$115.00
EXTRA SHARPS \$70.00

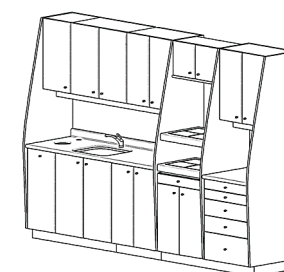
ULTRASONIC CUT-OUT
..... \$240.00

HVE w/COUNTER GROMMET
..... \$225.00

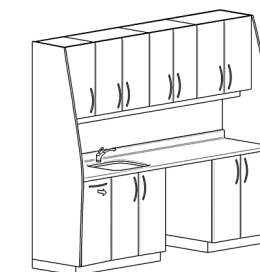
1 STANDARD CONFIGURATIONS



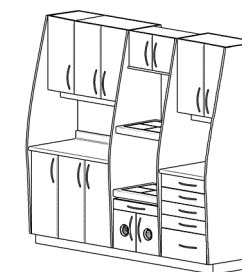
SC12



SC10



SC-6S



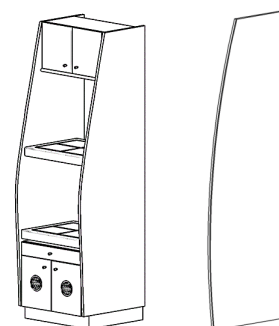
Custom Design

Reverse from left to right: Yes No Countertop: Svelte Solid Surface Laminate

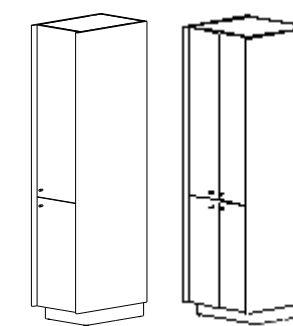
2 OPTIONAL CONFIGURATIONS



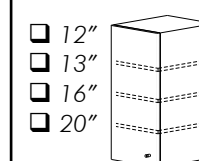
SCS TOWER
 SCT TOWER



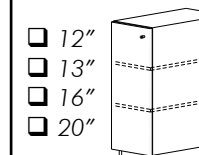
CURVED PANEL



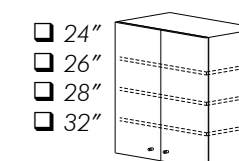
18" PANTRY
 26" PANTRY



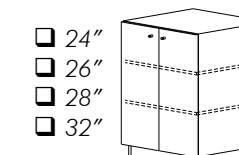
SINGLE DOOR UPPER



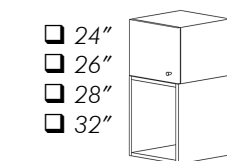
SINGLE DOOR BASE



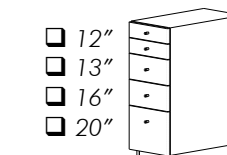
DOUBLE DOOR UPPER



DOUBLE DOOR BASE



HANDPIECE CLEANER UPPER



DRAWER BANK

- | | | |
|--|--|--|
| <input type="checkbox"/> 12"
<input type="checkbox"/> 13"
<input type="checkbox"/> 16"
<input type="checkbox"/> 20" | <input type="checkbox"/> 24"
<input type="checkbox"/> 26"
<input type="checkbox"/> 28"
<input type="checkbox"/> 32" | <input type="checkbox"/> 24"
<input type="checkbox"/> 26"
<input type="checkbox"/> 28"
<input type="checkbox"/> 32" |
|--|--|--|

Countertop: Svelte Solid Surface Laminate

Consult your representative for design assistance

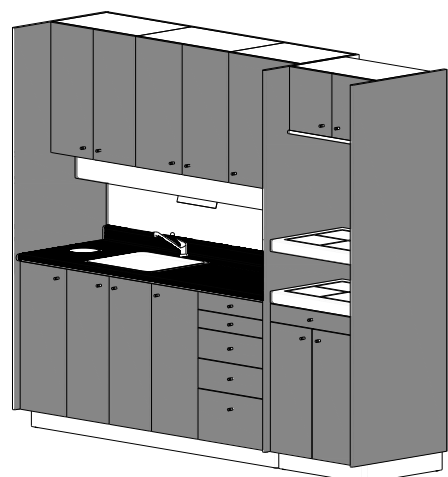
3 OPTIONS & ACCESSORIES

Hardware:	<input type="checkbox"/> Knob	<input type="checkbox"/> Bow-Pull	\$N/C
Extra Corian Pull-out	<input type="checkbox"/> No	<input type="checkbox"/> Yes	\$825.00 ea.
Red Display Light:	<input type="checkbox"/> No	<input type="checkbox"/> Yes (Qty: _____)	\$195.00 ea.
Blue Display Light:	<input type="checkbox"/> No	<input type="checkbox"/> Yes (Qty: _____)	\$195.00 ea.
Aluminum Framed Glass Door:	<input type="checkbox"/> No	<input type="checkbox"/> Yes (Qty: _____)	\$182.00 ea.
Foot Activated Faucet:	<input type="checkbox"/> No	<input type="checkbox"/> Yes	\$925.00 ea.
Tempered Glass Shelves	<input type="checkbox"/> No	<input type="checkbox"/> Yes (Qty-pkg of 3: _____)	\$145.00 ea.
Chrome Tub/Tray Racks:	<input type="checkbox"/> No	<input type="checkbox"/> Yes	\$369.00 ea.
Soap Pump:	<input type="checkbox"/> No	<input type="checkbox"/> Yes	\$153.00 ea.
Above Counter Corian Divider:	<input type="checkbox"/> No	<input type="checkbox"/> Yes	\$275.00 ea.
Extra Waste Drop:	<input type="checkbox"/> No	<input type="checkbox"/> Yes (w/ KEY TRAY <input type="checkbox"/>)	\$115.00 ea.
Extra Sharps Drop:	<input type="checkbox"/> No	<input type="checkbox"/> Yes	\$ 70.00 ea.
Ultrasonic Cutout:	<input type="checkbox"/> No	<input type="checkbox"/> Single <input type="checkbox"/> Dual	\$240.00 ea.
HVE w/Counter Grommet	<input type="checkbox"/> No	<input type="checkbox"/> Yes	\$225.00 ea.
Additional Options / Notes:	_____			

4 COLORS

Base Color: Surf Countertop Color: _____
Accent Color: _____ (Colors chosen other than Bow Wood Select may be subject to an upcharge)

COLOR LOCATIONS



= BASE COLOR = ACCENT = COUNTER TOP

BASE COLOR

Surf

COUNTER TOP COLORS

Solid Surface

See standard color page for options.

ACCENT / FINISHED BACK COLORS

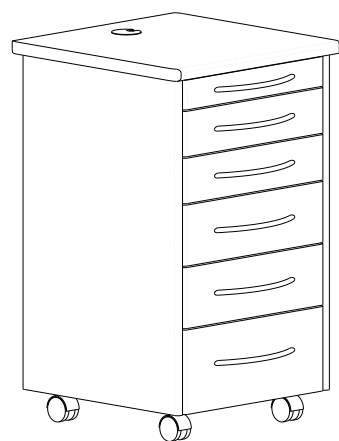
See standard color page for options.

Plastic Laminate

See standard color page for options.

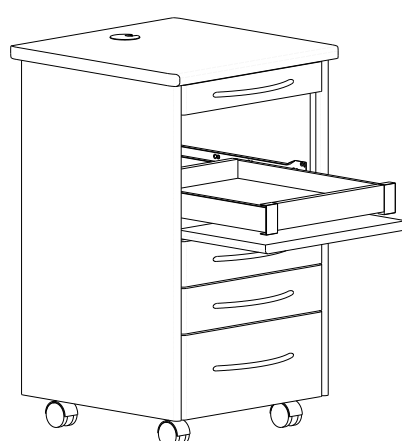
SPECIAL COLOR INFORMATION

Other solid surface colors and laminates from Wilsonart, Formica, Nevamar and Pionite are available, subject to an additional charge, per color, per order. Color sample chips and other information is available on the internet and at local dealers specializing in these materials.



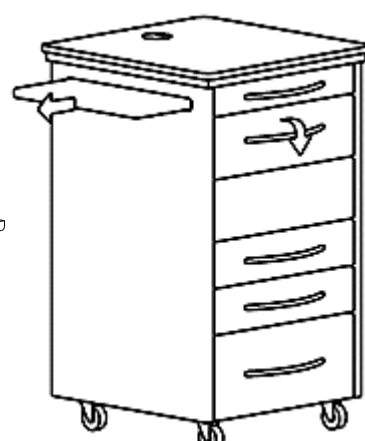
DOCTOR'S

16" / 18" \$1,084.00
w/ Solid Surface \$1,474.00



ASSISTANT'S

16" / 18" \$1,084.00
w/ Solid Surface \$1,474.00



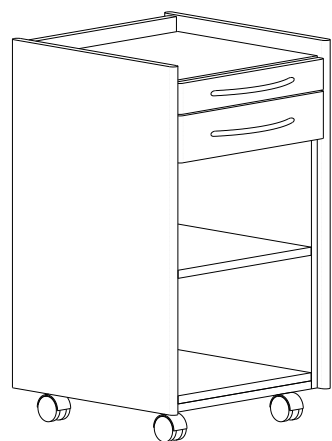
NORTH-CAROLINA

16" / 18" \$1,195.00
w/ Solid Surface \$1,474.00



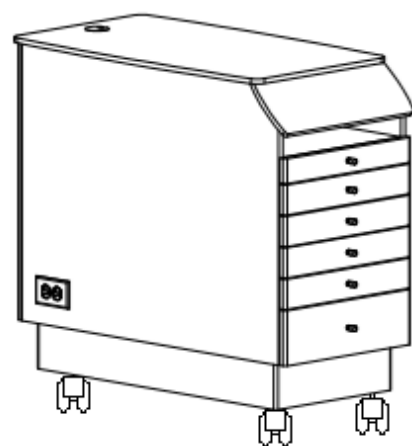
ALABAMA

16" / 18" \$1,195.00
w/ Solid Surface \$1,474.00



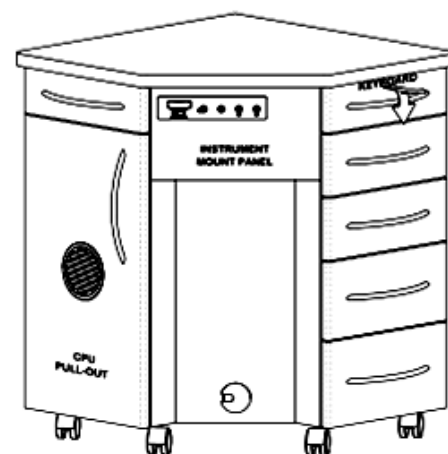
UTILITY

16" / 18" \$913.00



MCI

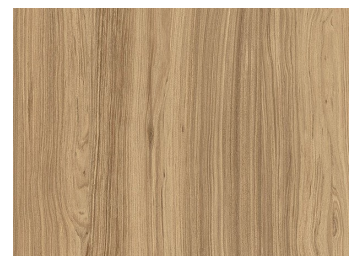
19" \$1,586.00
w/ Solid Surface \$1,976.00
Fixed or with Castors



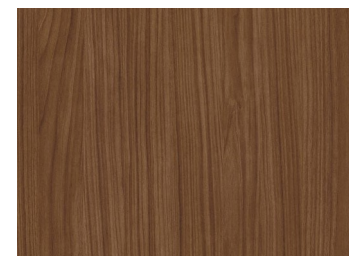
MCO

24" \$2,074.00
w/ Solid Surface ... \$2,485.00
Fixed or with Castors

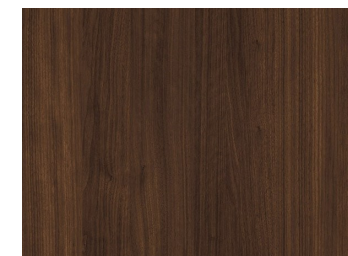
LAMINATES



FAWN CYPRESS



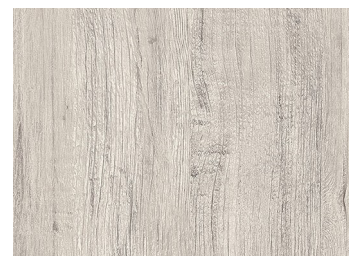
WALNUT HEIGHTS



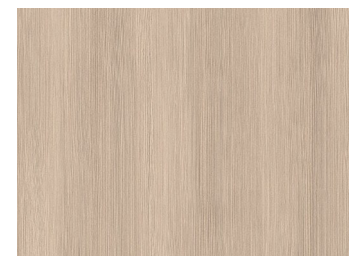
COLOMBIAN WALNUT



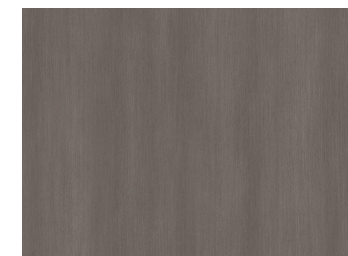
WHITE CYPRESS



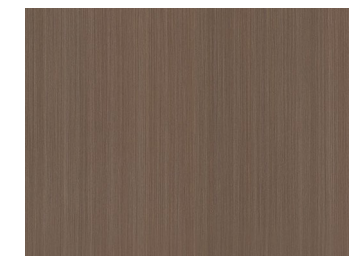
WHITE DRIFTWOOD



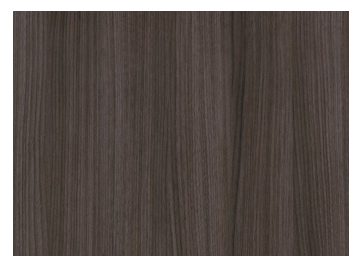
HIGH LINE



PHANTOM CHARCOAL



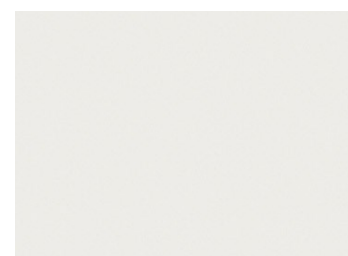
SILVER RIFTWOOD



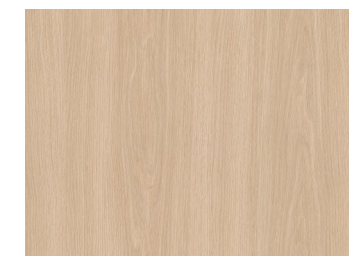
SKYLINE WALNUT



PHANTOM PEARL

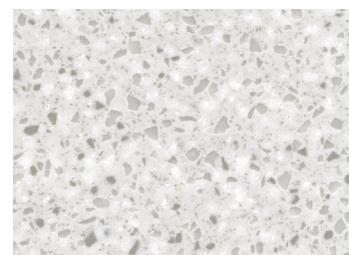


SURF

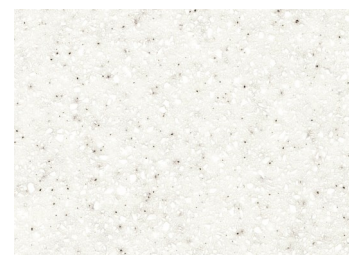


BEIGEWOOD

SOLID SURFACE



SILVER BIRCH



EVEREST



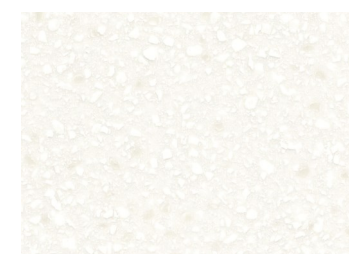
SAVANNAH



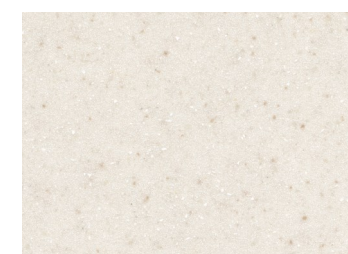
PLATINUM



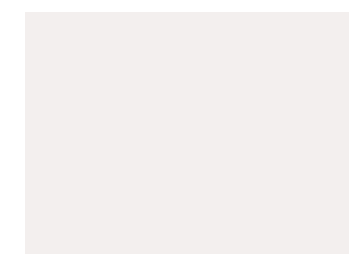
DOVE



ANTARCTICA



LINEN



GLACIER WHITE

*Base colors only. Accent colors may be specified subject to an upcharge.



*Beautiful eye-catching
style to enhance your image*

Our Values

Integrity

Fairness, honesty and trustworthiness.

Commitment

We treat each project as our own.

Teamwork

Together we can achieve more.

Continuous Improvement

Continual learning underscores
Continual improvement.



Bow Wood Inc.

404 Prospect Avenue, Oxbow, SK, S0C 2B0

Tel: 1-888-269-9663

E-mail: design@bowwood.net

Website: www.bowwood.net

Printed in Canada